



I'LL BE QUICK

SPEED UP YOUR GLASS RAILING JOB WITH
EASY GLASS® PRIME

NEW



ALIGN STRAIGHTAWAY

Q-railing



PROVEN SAFETY



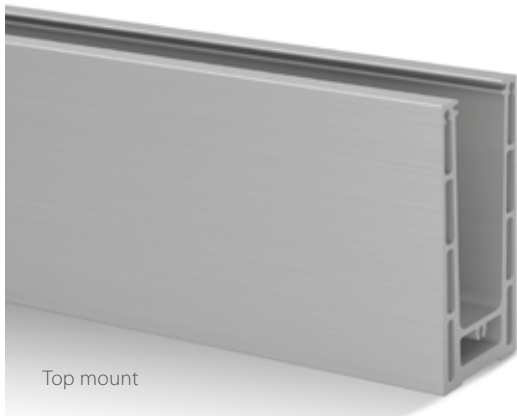
*THOUGHT YOU'D
ALREADY FOUND THE
GLASS BALUSTRADE
THAT'S EASIEST TO
INSTALL AND ALIGN?*

THINK AGAIN!

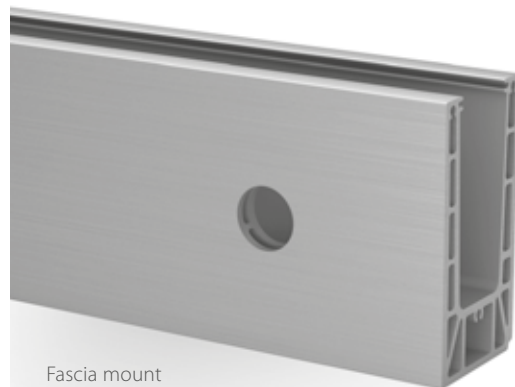
PRIME INSTALLER MARK

EASY GLASS® PRIME FOR THE **FASTEST-EVER** **GLASS ALIGNMENT**

Nothing beats Easy Glass® Prime. It is the
new number one for glass alignment!



Top mount



Fascia mount



ALIGN STRAIGHTAWAY

ADJUSTABLE Q-DISC® SYSTEM ***SLIDE AND ALIGN!***

The Easy Glass® Prime base shoes include the revolutionary and highly adjustable Q-disc® System. **Easily adjust individual glass panels** by up to 1.2° from the vertical!



Inlay designed to slide for glass alignment



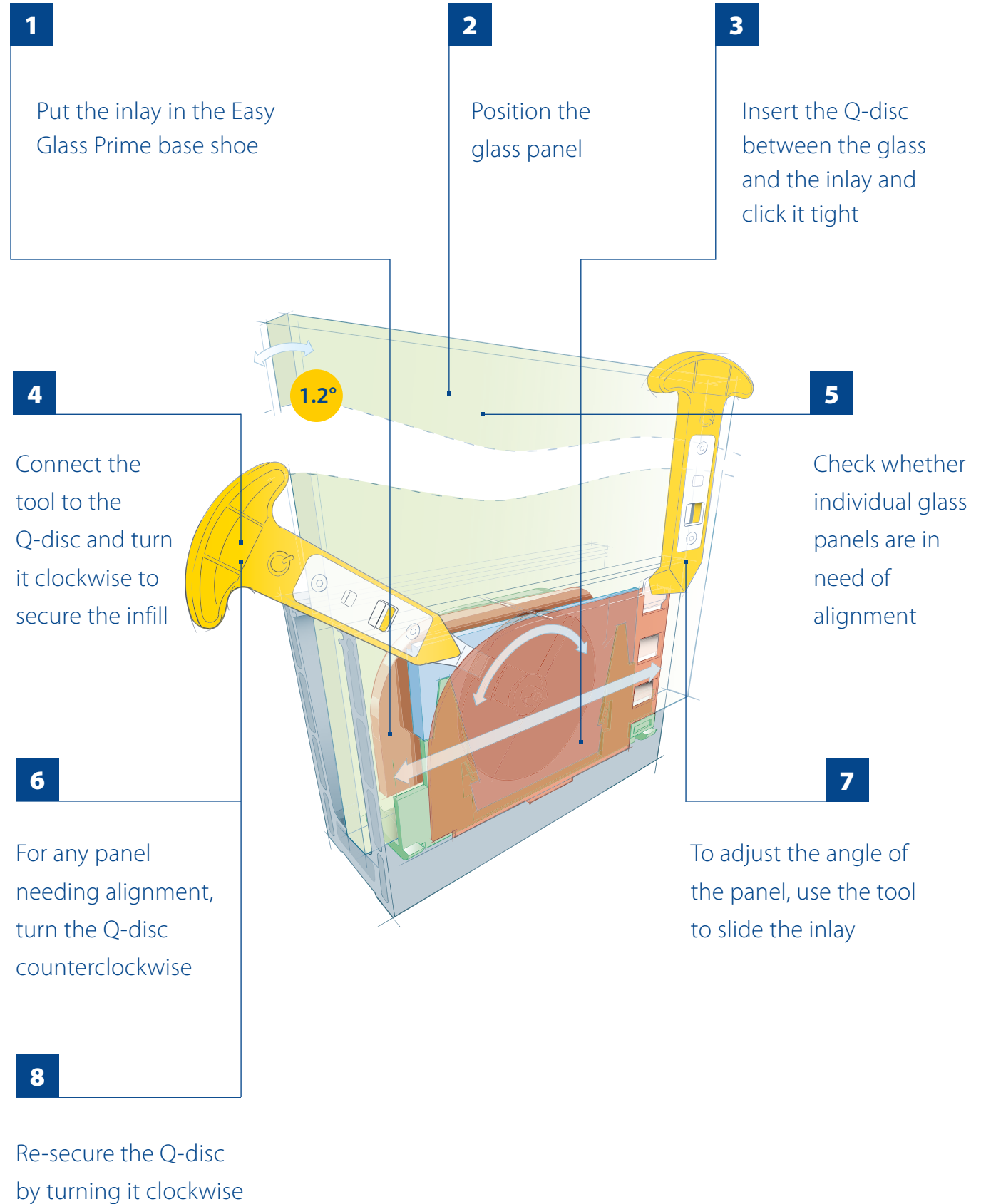
Q-disc®



Q-tool



HOW IT WORKS





1 CONVENIENT BASE SHOE DESIGN

- ▶ Plenty of space for tooling and placing anchors
- ▶ Tolerances of anchor holes allow effortless tightening

2 OPTIMISED FIXING

- ▶ Minimal use of fixing materials
- ▶ A choice of base shoe fixing methods

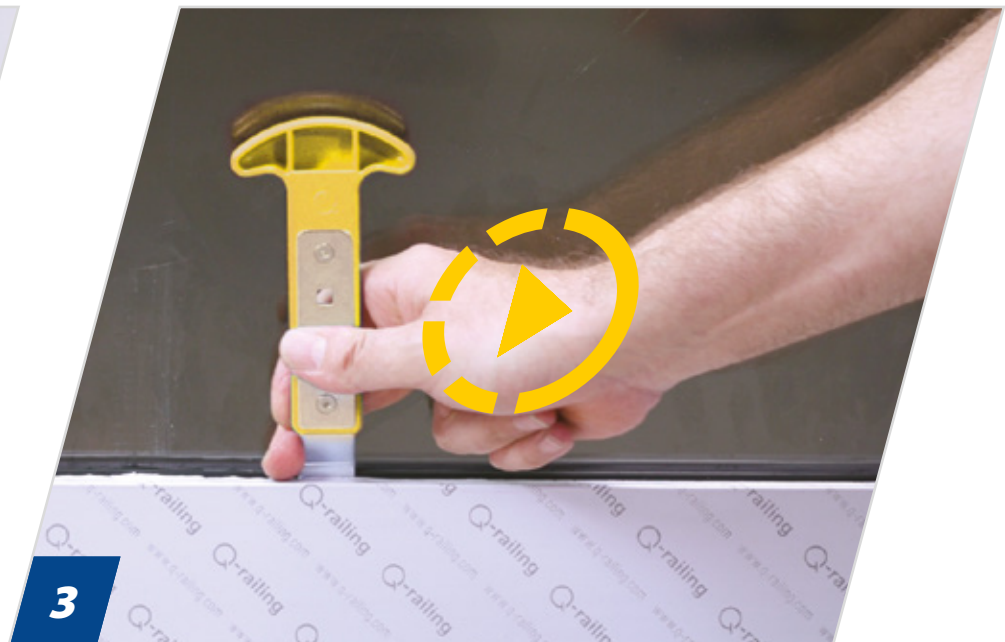


WATCH MARK ONLINE

YOUR QUICK WINS

3 FASTEST GLASS ALIGNMENT

- ▶ Glass mounting and alignment with the adjustable Q-disc® System
- ▶ System feedback in the form of indication points and confirming "clicks"
- ▶ Do everything from the inner side – safely and without scaffolding



CHECK OUT ALL QUICK-WIN VIDEOS:

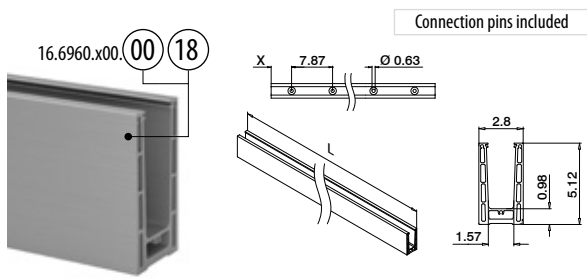
[Q-RAILING.COM/PRIME](https://www.q-railing.com/prime)



ALIGN STRAIGHTAWAY

Designed for: Medium use
Linear line load: Resists 50 lb/ft
Use: Indoor and outdoor
Suitable for: Top and fascia mounting
Applications: Stairs and balustrades
Material: Brushed or mill-finished aluminum
Infill: Glass
Glass thickness: 5/8" - 1" (16.76 - 25.52mm)
Top finish: Cap rail, U-profile or edge protection

Railing bases
EASY GLASS® PRIME - Base shoes, top mount



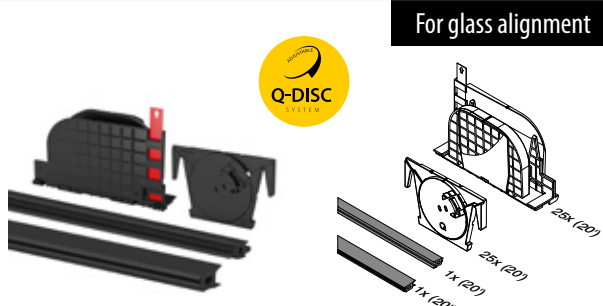
MOD 6960

Aluminium	Mill finish		
INDOOR	X		
16.6960.600.00	3.94	QS-300 / QS-301 / QS-302 / QS-559	L = 20' (6096 mm)
Aluminium	Brushed aluminium		
OUTDOOR	X		
16.6960.300.18	1.97	QS-300 / QS-301 / QS-302 / QS-559	L = 10' (3048 mm)
16.6960.600.18	3.94	QS-300 / QS-301 / QS-302 / QS-559	L = 20' (6096 mm)

NEW

International Design
Model Protection

Railing bases
EASY GLASS® PRIME - Adjustable Q-disc System (rubber set, inlay and Q-disc®)



MOD 6960

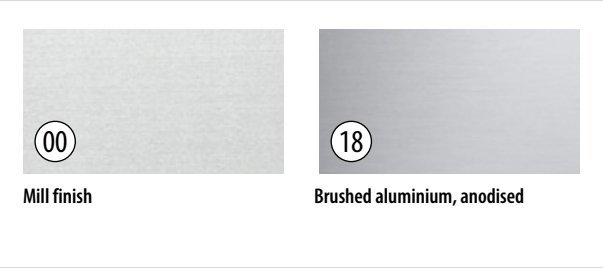
Accessories	T	
19.6960.617.00	5/8" (16,76mm)	L = 20' (6096 mm)
19.6960.618.00	11/16" (17,52mm)	L = 20' (6096 mm)
19.6960.619.00	3/4" (19mm)	L = 20' (6096 mm)
19.6960.621.00	13/16" (20,76mm)	L = 20' (6096 mm)
19.6960.622.00	27/32" (21,52mm)	L = 20' (6096 mm)
19.6960.624.00	31/32" (24,76mm)	L = 20' (6096 mm)
19.6960.626.00	1" (25,52mm)	L = 20' (6096 mm)

NEW

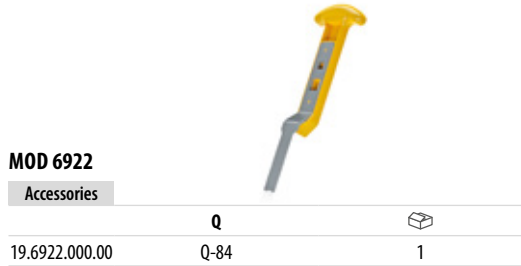
International Design
Model Protection

Q-disc® System: Glass is securely retained. Drilling is not necessary.

Q-INFO **MOD 6961**



Accessories
EASY GLASS® PRIME - Q-disc and inlay tool



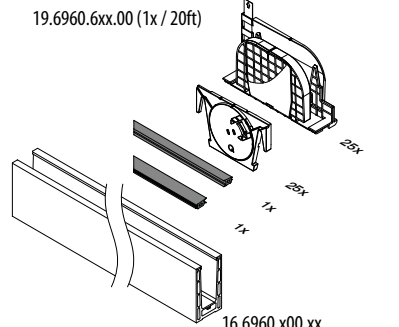
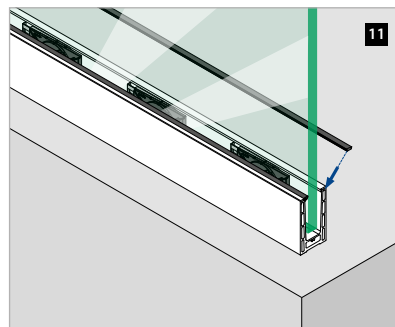
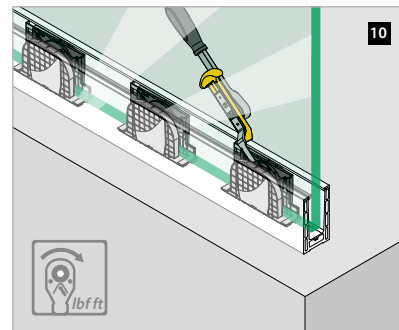
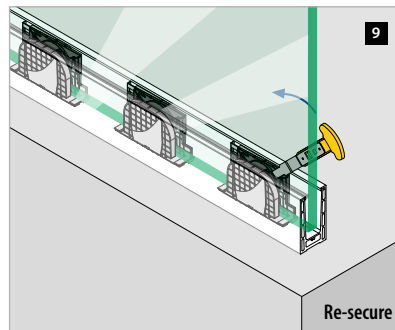
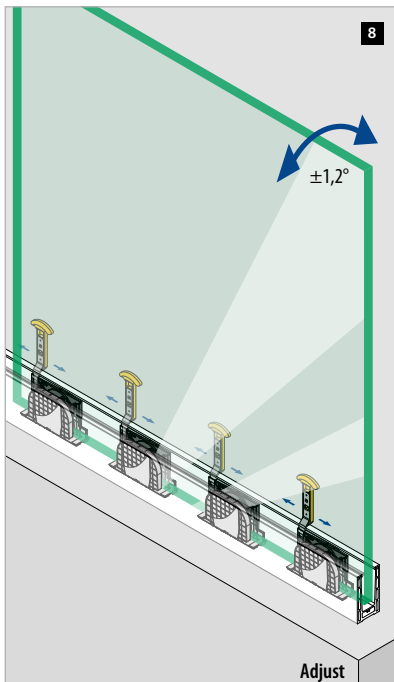
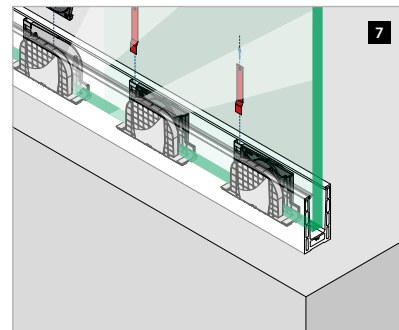
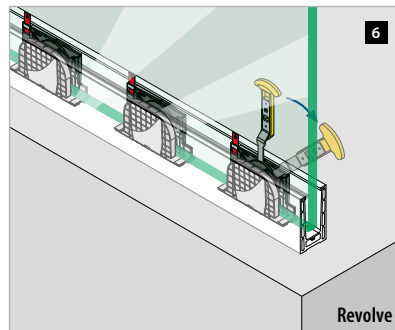
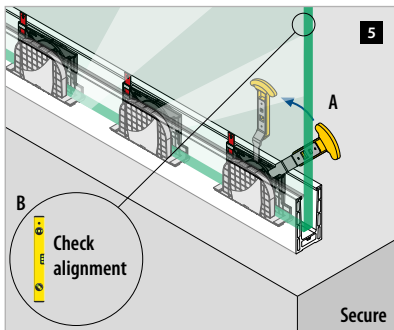
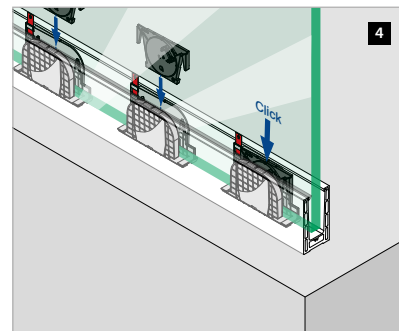
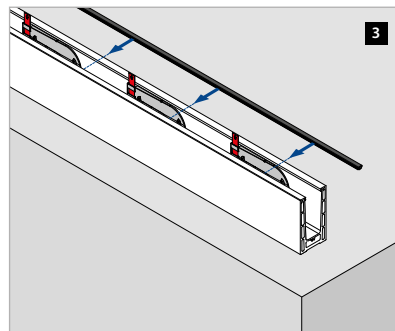
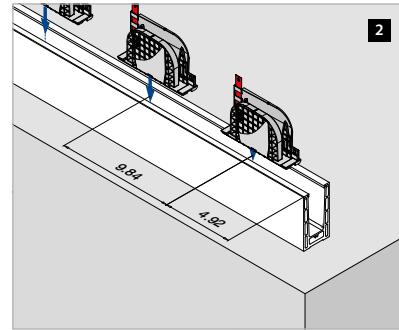
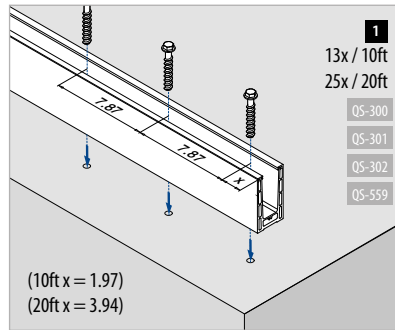
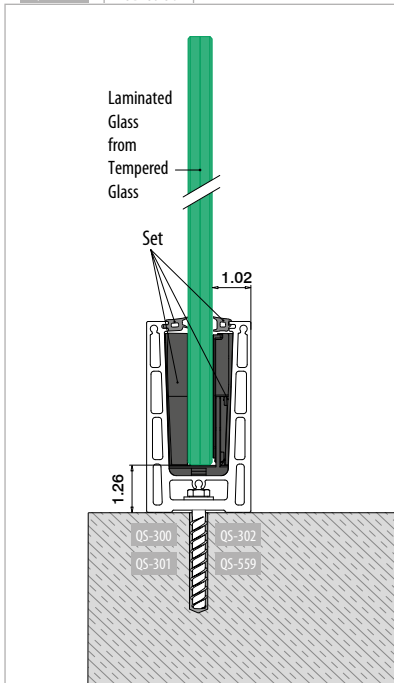
MOD 6922

Accessories	Q	
19.6922.000.00	Q-84	1

NEW

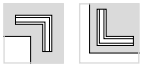
EASY GLASS® PRIME - Base shoe, top mount

Q-INFO MOD 6960

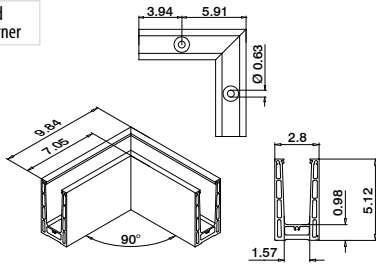
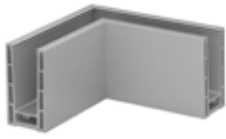


Railing bases

EASY GLASS® PRIME - Connectors, top mount



Internal and external corner



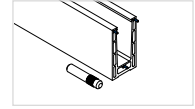
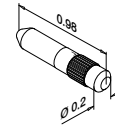
MOD 6313

Aluminium	Mill finish		
INDOOR			
16.6313.060.00	QS-300 / QS-301 / QS-302 / QS-559		1
Aluminium	Brushed aluminium		
OUTDOOR			
16.6313.060.18	QS-300 / QS-301 / QS-302 / QS-559		1



Railing bases

EASY GLASS® - Connection pins



MOD 3005

316	
OUTDOOR	
14.3005.000.00	6

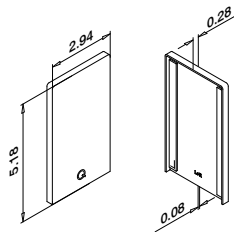


Railing bases

EASY GLASS® PRIME - End fittings, top mount



Applicable left / right

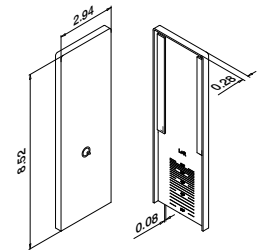


MOD 6734

Aluminium	Mill finish		
INDOOR			
16.6734.060.00			1
Aluminium	Brushed aluminium		
OUTDOOR			
16.6734.060.18			1



For stairs
Applicable left + right

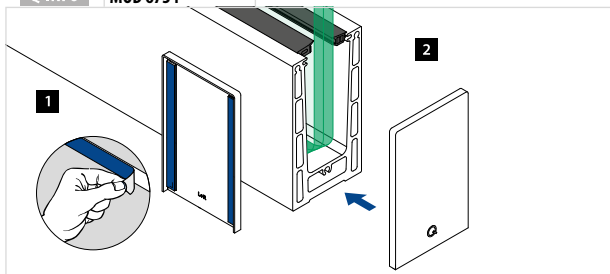


MOD 6736

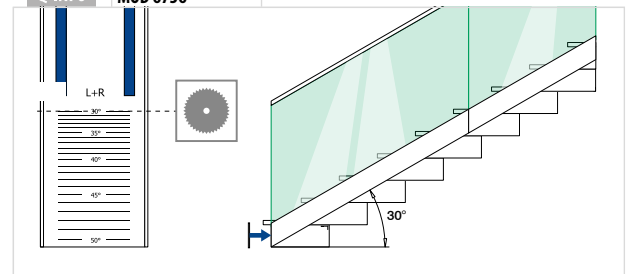
Aluminium	Mill finish		
INDOOR			
16.6736.060.00			1
Aluminium	Brushed aluminium		
OUTDOOR			
16.6736.060.18			1



Q-INFO MOD 6734

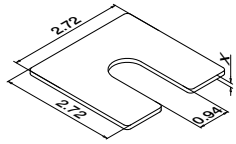


Q-INFO MOD 6736



Railing bases

EASY GLASS® PRIME - Shoe shims

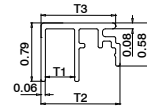
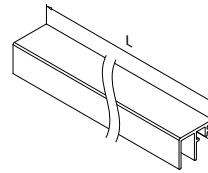


MOD 6921

	Aluminium		X	Mill finish	3D icon
	19.6921.170.00	19.6921.270.00			
	0.04' (1 mm)	0.08' (2 mm)			
	0.12' (3 mm)				

Railing bases

EASY GLASS® - Trims, top mount



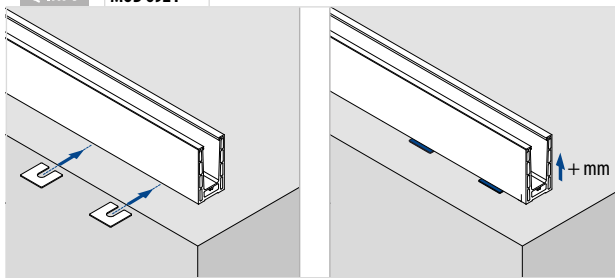
MOD 6970 / 6973

	Aluminium		Mill finish			3D icon
	16.6973.520.00	16.6970.503.00	T1	T2	T3	
	-	0.12	0.39	1.32	1.26	L = 16.4' (5000mm)
	0.79	0.39	1.18	1.57	1.52	L = 16.4' (5000mm)

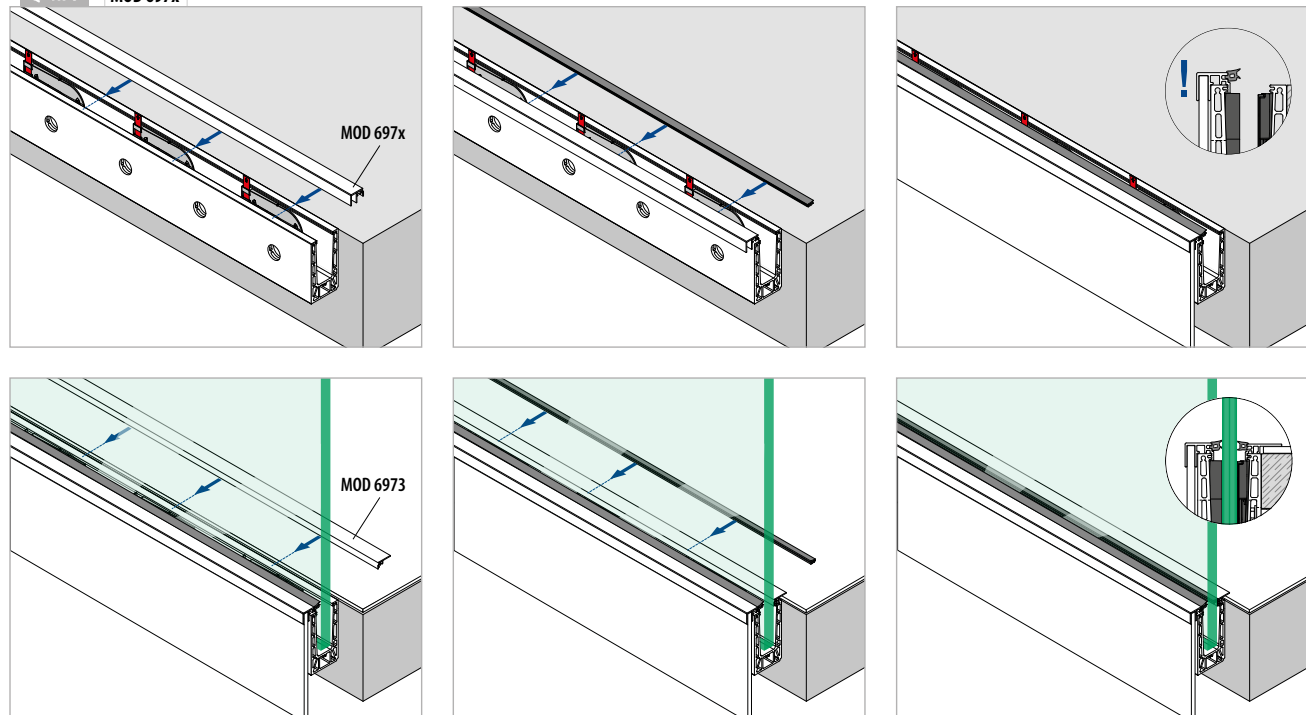
	Aluminium		Brushed aluminium			3D icon
	16.6973.520.18	16.6970.503.18	T1	T2	T3	
	-	0.12	0.39	1.32	1.26	L = 16.4' (5000mm)
	0.79	0.39	1.18	1.57	1.52	L = 16.4' (5000mm)

NEW

Q-INFO MOD 6921



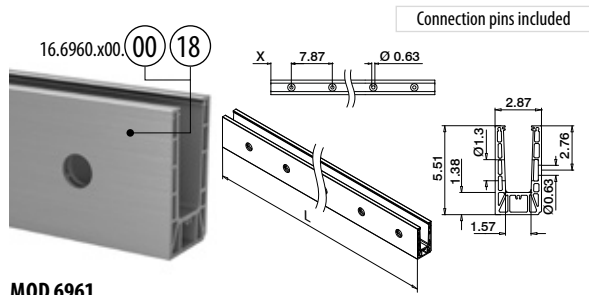
Q-INFO MOD 697x







ALIGN STRAIGHTAWAY

Railing bases

EASY GLASS® PRIME - Base shoe, fascia mount



MOD 6961

Aluminium	Mill finish		
INDOOR	X	 	
16.6961.600.00	3.94	QS-300 / QS-301 / QS-302 / QS-559	L = 20' (6096 mm)
Aluminium	Brushed aluminium		
OUTDOOR	X	 	
16.6960.300.18	1.97	QS-300 / QS-301 / QS-302 / QS-559	L = 10' (3048 mm)
16.6960.600.18	3.94	QS-300 / QS-301 / QS-302 / QS-559	L = 20' (6096 mm)

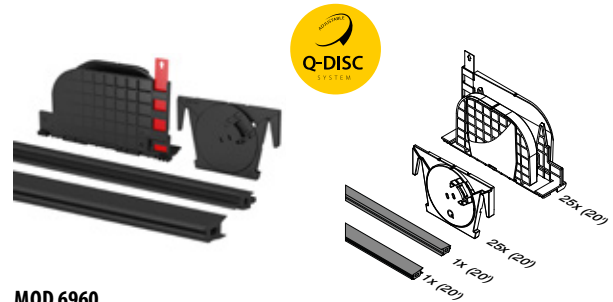
NEW

International Design
Model Protection

Railing bases

EASY GLASS® PRIME - Adjustable Q-disc System (rubber set, inlay and Q-disc®)

For glass alignment



MOD 6960

Accessories	T	
19.6960.617.00	5/8" (16,76mm)	L = 20' (6096 mm)
19.6960.618.00	11/16" (17,52mm)	L = 20' (6096 mm)
19.6960.619.00	3/4" (19mm)	L = 20' (6096 mm)
19.6960.621.00	13/16" (20,76mm)	L = 20' (6096 mm)
19.6960.622.00	27/32" (21,52mm)	L = 20' (6096 mm)
19.6960.624.00	31/32" (24,76mm)	L = 20' (6096 mm)
19.6960.626.00	1" (25,52mm)	L = 20' (6096 mm)

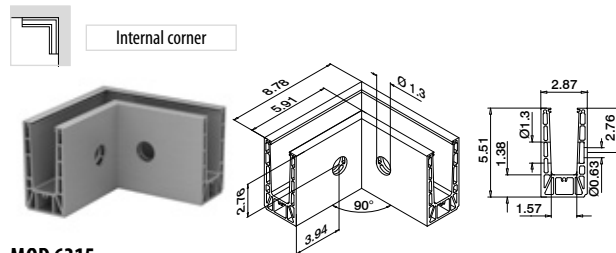
NEW

International Design
Model Protection


Q-disc® System: Glass is securely retained. Drilling is not necessary.

Railing bases

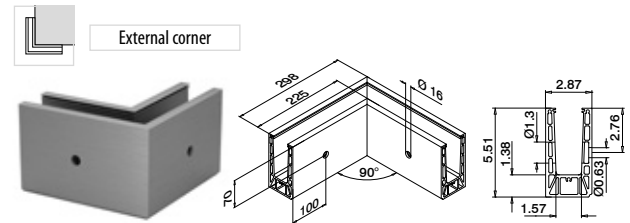
EASY GLASS® PRIME - Connectors, fascia mount







MOD 6315

Aluminium	Mill finish		
INDOOR		 	
16.6315.061.00		QS-300 / QS-301 / QS-302 / QS-559	1
Aluminium	Brushed aluminium		
OUTDOOR		 	
16.6315.061.18		QS-300 / QS-301 / QS-302 / QS-559	1

NEW



MOD 6316

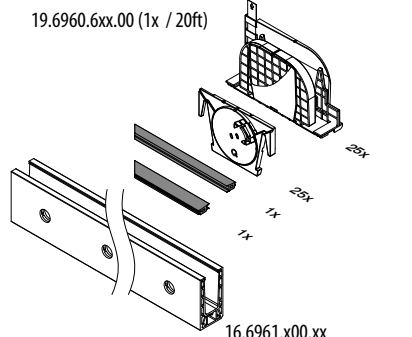
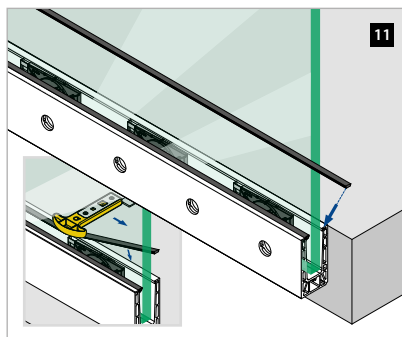
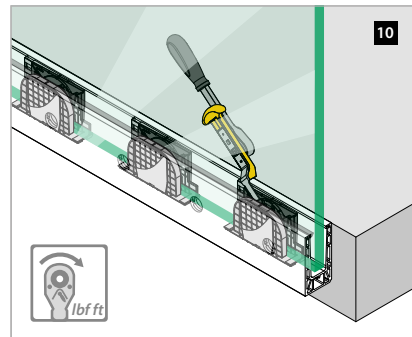
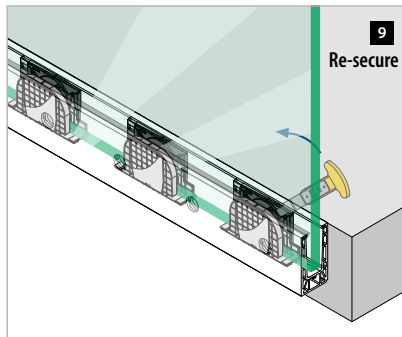
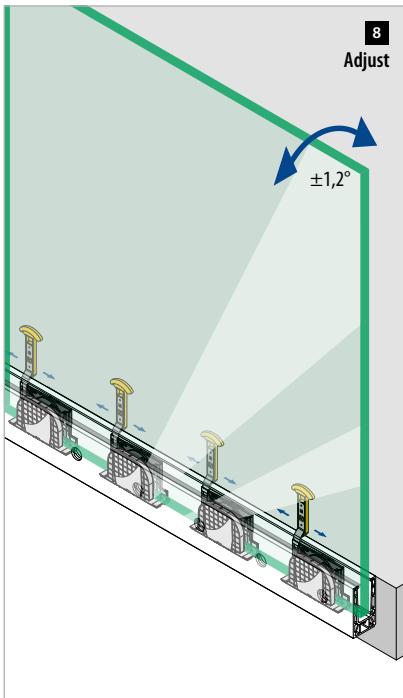
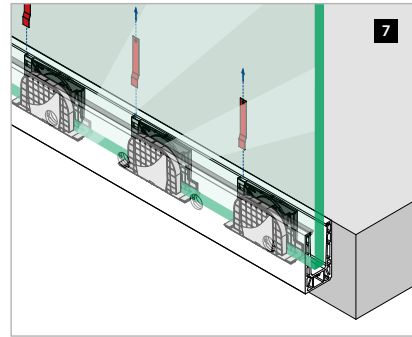
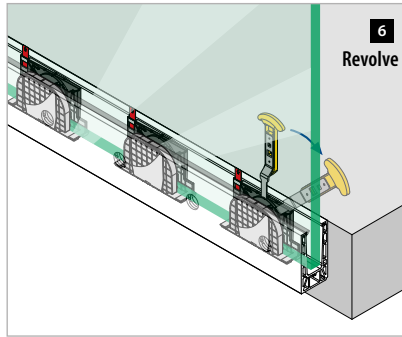
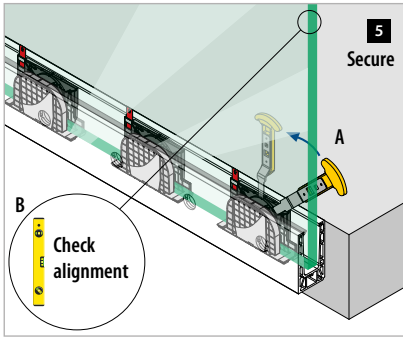
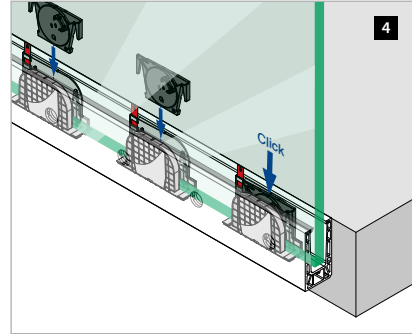
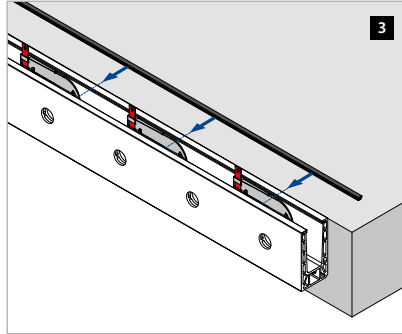
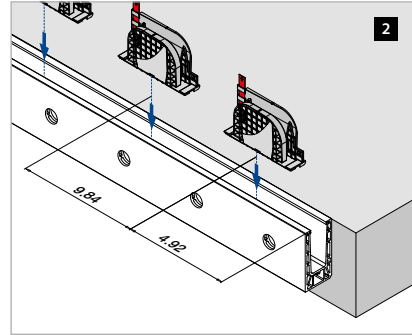
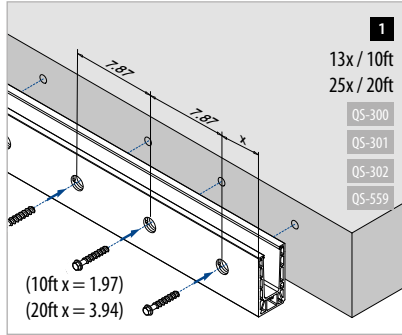
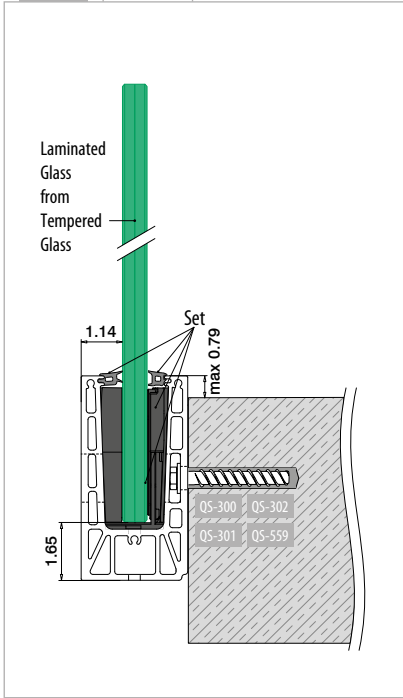
Aluminium	Mill finish		
INDOOR		 	
16.6316.061.00		QS-300 / QS-301 / QS-302 / QS-559	1
Aluminium	Brushed aluminium		
OUTDOOR		 	
16.6316.061.18		QS-300 / QS-301 / QS-302 / QS-559	1

NEW



EASY GLASS® PRIME - Base shoe, fascia mount

Q-INFO MOD 6961

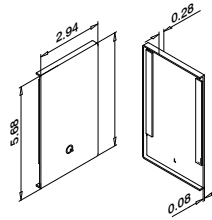


Railing bases

EASY GLASS® PRIME - End fittings, fascia mount



Use with and without cladding
Left



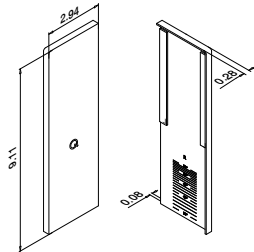
MOD 6734

Aluminium	Mill finish	
INDOOR		
16.6734.061.00		1
Aluminium	Brushed aluminium	
OUTDOOR		
16.6734.061.18		1

NEW



Use with and without cladding
For stairs
Left



MOD 6736

Aluminium	Mill finish	
OUTDOOR		
16.6736.061.00		1
Aluminium	Brushed aluminium	
OUTDOOR		
16.6736.061.18		1

NEW

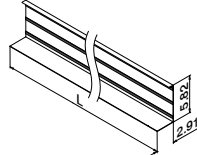


Railing bases

EASY GLASS® PRIME - Cladding, fascia mount



Front side cladding

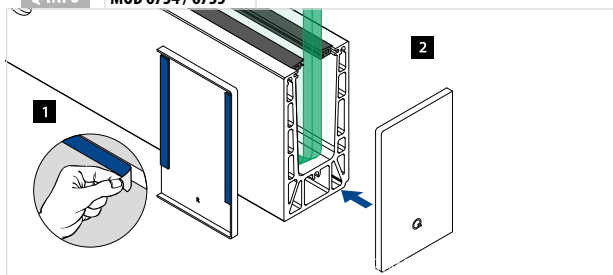


MOD 6920

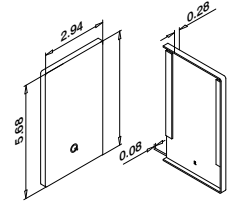
Aluminium	Mill finish	
INDOOR		
16.6920.661.00	L = 6069 mm	
Aluminium	Brushed aluminium	
OUTDOOR		
16.6920.661.18	L = 6069 mm	

NEW

Q-INFO MOD 6734 / 6735



Use with and without cladding
Right



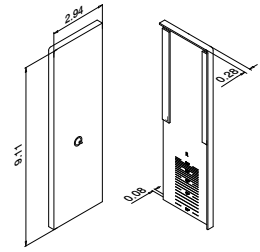
MOD 6735

Aluminium	Mill finish	
INDOOR		
16.6735.061.00		1
Aluminium	Brushed aluminium	
OUTDOOR		
16.6735.061.18		1

NEW



Use with and without cladding
For stairs
Right



MOD 6737

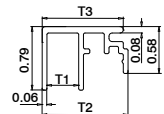
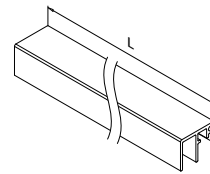
Aluminium	Mill finish	
OUTDOOR		
16.6737.061.00		1
Aluminium	Brushed aluminium	
OUTDOOR		
16.6737.061.18		1

NEW



Railing bases

EASY GLASS® - Trims, fascia mount



MOD 6973 / 6974

Aluminium	Mill finish			
	T1	T2	T3	
16.6973.520.00	-	1.32	1.26	L = 16.4' (5000mm)
16.6974.503.00	0.12	0.94	0.89	L = 16.4' (5000mm)
16.6974.510.00	0.39	1.22	1.16	L = 16.4' (5000mm)
16.6974.520.00	0.79	1.61	1.55	L = 16.4' (5000mm)
Aluminium	Brushed aluminium			
	T1	T2	T3	
16.6973.520.18	-	1.32	1.26	L = 16.4' (5000mm)
16.6974.503.18	0.12	0.94	0.89	L = 16.4' (5000mm)
16.6974.510.18	0.39	1.22	1.16	L = 16.4' (5000mm)
16.6974.520.18	0.79	1.61	1.55	L = 16.4' (5000mm)

NEW

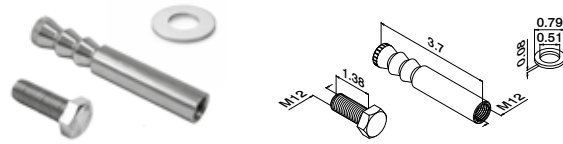
Fixing materials for railing systems



MOD 4312

Steel zinc-plated

	QS	d		L	
19.4312.124.15	QS-300	1/2"	1/2"	4"	50



MOD 4512

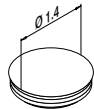
316

	OUTDOOR	QS	Q-railing		
19.4512.127.14	QS-559	Q VMZ-IG 105 M12 A4	Ø 23/32"	10	



EASY GLASS® PRIME - Blind plugs, fascia mount

Use without cladding



MOD 6915

ABS plastic

Aluminium RAL 9006

OUTDOOR

	QS	
24.6915.033.36	10	

NEW



MOD 4412

316

	OUTDOOR	QS	Type		L	
19.4412.412.14	QS-301	HIT-Z-R-1/2" x 4-1/2"	Ø 9/16"	4-1/2"	20	
19.4412.612.14	QS-302	HIT-Z-R-1/2" x 6-1/2"	Ø 9/16"	6-1/2"	20	



Accessories for railing systems



MOD 4097

Accessories

	Q	
19.4097.200.00	Q-87	1

NEW



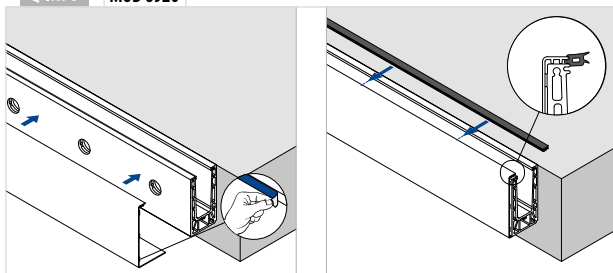
MOD 4095

Accessories

	Q	
19.4095.201.00	Q-86	1

NEW

Q-INFO MOD 6920



* The prices are net and cannot be combined with other discounts.



WHAT'S NEXT? NEXT!

