



EASY ALU

THE HIGH-GRADE ALUMINIUM RAILING

MOVE AT TOP SPEED:
ORDER READY-TO-INSTALL MODULES

THE PREMIUM BRAND IN RAILING SYSTEMS

Q-railing



EASY ALU

FASTEST INSTALLATION,
UTMOST CONVENIENCE

GREAT QUALITY – SUPERB PRICING – HIGHLY CUSTOMISABLE – READY MODULES



Easy Alu offers you all the benefits of a high-grade aluminium railing with Q-railing quality built in, plus great looks. Its stylish modern design is stripped down, yet more than strong enough to create safe railings for walkways, balconies and upper levels of atriums and lobbies.

What sets this system apart?

Its attractive pricing, its great customisation and prefabrication options and the fact that you can preassemble the components to complete railing sections in your own workshop.

Or, speed things up still further: Order ready-to-install modules, custom made to your specifications. Anchor them to the floor and you are done!

Easy Alu

READY-TO-INSTALL MODULES

Want to move at top speed? Order custom-made, preassembled Easy Alu modules. All you need to do on site is anchor the modules to the floor and join them together by adding the matching handrail.

SINGLE COMPONENTS

Would you prefer to assemble the Easy Alu modules yourself in your own workshop? Order standard single components, available directly from stock. Or speed things up and have us cut, drill and powder-coat the components for you. You will then receive everything as per your exact specifications.

- Designed for:** Light and medium use, indoor and outdoor
- Suitable for:** Top and fascia mounting
- Applications:** Horizontally positioned balustrades
- Material:** Aluminium
- Material finish:** Brushed anodised, mill finished or powder-coated
- Infill:** All glass or glass with mid-rail(s)
- Glass thickness:** 8 - 10,76 mm

Easy Alu	UK	DE	NL	IT	CH	ES	FR
Max. line load (kN/m)	0,74	0,5	0,5	>2,0	0,8	3,0	1,0

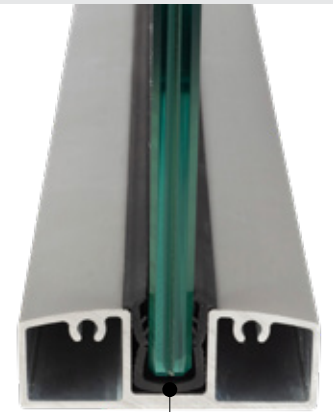
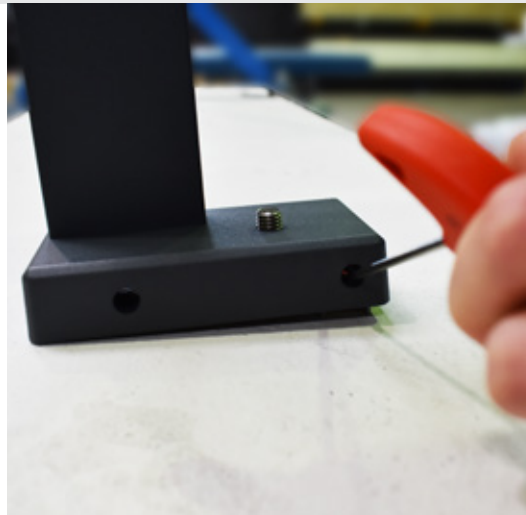
Please refer to the respective certificates for specifications such as mounting details and glass dimensions. For more information, please visit our website: www.q-railing.com/certificates.

PROVEN SAFETY



EASY ALIGNMENT

Uneven floors are not a problem when installing Easy Alu. Each top-mount base flange comes with a levelling block, which eliminates the need for shimming. Insert it underneath to adjust the alignment of each module with ease.



RAL POWDER-COATING

Order aluminium components with a brushed anodised finish, mill finish or powder-coating. An anthracite-grey RAL-7016 powder-coating is standard, but you can order any other RAL colour.

GLASS WING RUBBER

There is no glass rubber like Glass Wing. It is easy to place it in the glass profile, where it stays 'open'. Allowing you to insert the glass quickly and with hardly any pressure. As soon as you insert the glass, the rubber hugs it tightly.



option

1

READY TO INSTALL MODULES

EASIEST AND FASTEST

WE:

- Do all the necessary cutting and drilling
- Get you the exact material finish you prefer (brushed anodised, mill finished or powder-coated in any RAL colour)
- Preassemble everything
- Send you modules completed to your exact specifications

YOU:

- Position the modules on site
- Anchor the modules to the floor
- Click the handrail on top



GET YOUR QUOTE:

+49 2822 91569 0

SALES.BUSINESS@Q-RAILING.COM

ORDERING DETAILS: PAGE 6

2

PREFABRICATED SINGLE COMPONENTS

WE:

- Do all the necessary cutting and drilling
- If required, do any powder-coating
- Send you the components as per your exact specifications

YOU:

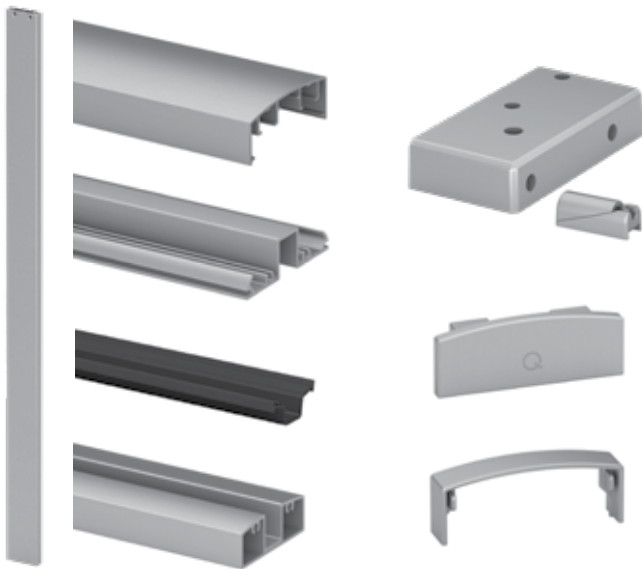
- Preassemble modules from the components
- Position the modules on site
- Anchor the modules to the floor
- Click the handrail on top

ORDERING DETAILS: PAGE 8



3

STANDARD SINGLE COMPONENTS



WE:

- Send you the standard components

YOU:

- Do the cutting, drilling and – if you wish – powder-coating
- Preassemble modules from the components
- Position the modules on site
- Anchor the modules to the floor
- Click the handrail on top

ORDERING DETAILS: PAGE 10





Ready-to-install modules

GO FOR UTMOST CONVENIENCE AND ORDER COMPLETE EASY ALU MODULES.

Fill out your project details and send them to us by email: sales.business@q-railing.com. We will then provide you with a quote for the entire railing. On your approval, we will start the prefabrication. We will cut, drill, powder-coat and preassemble everything to your exact specifications and supply you with ready-to-install railing modules plus the required handrails.

All you need to do:
Attach the preassembled modules to the floor at the construction site and connect a handrail that joins them together. That is it!

For what type of project do you need the balustrade?*

- Private/Residential use
- Commercial/Public use

What floor surface will you install on?

- Concrete
- Other:

*Do remember to take into account all guidelines and restrictions specified by the building codes that apply to your country and/or region.

Project reference:

.....

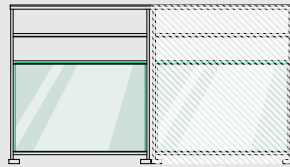
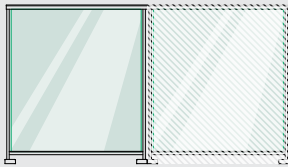
Required balustrade height (above finished floor level):

.....

What mounting type and infill do you require?

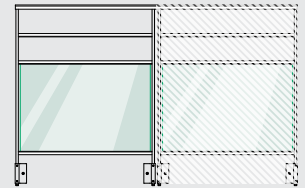
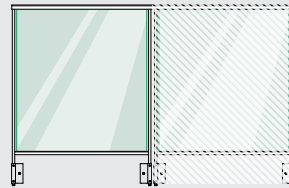
Top mounted

- All glass
- Glass with mid-rail





Fascia mounted

- All glass
- Glass with mid-rail



What type of material finish do you require?

Standard options:

-  Brushed anodised aluminium
-  Powder-coated RAL 7016 anthracite grey, textured

Custom options:

- Powder-coated in custom RAL colour**:
.....

Surface finish

- Smooth
- Structured***

Gloss level

- High-gloss
- Matt

- Project-specific powder-coating (supplier code):
.....

** From RAL standard K7 only
*** Selected colours only, matt gloss level only



Sender

Name

Company

Street, house no.

Postcode, city, country

Telephone & Fax

E-mail

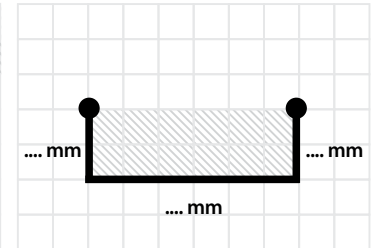
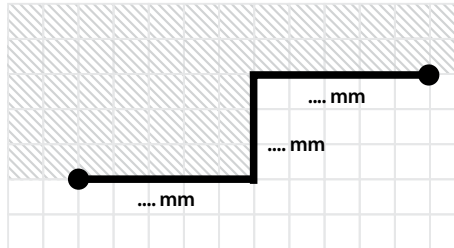
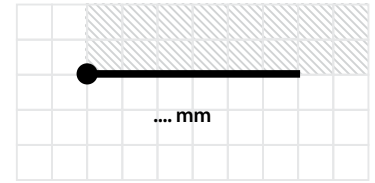
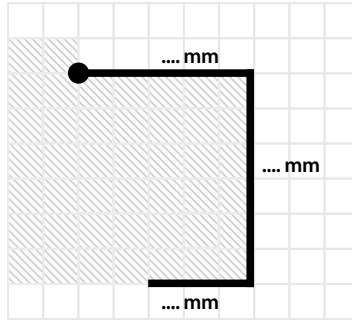
Customer number

Revision number* *(to be filled in by Q-railing)

Your project

- 1** Give us the measurements of the balcony floor that you want to install on.
- 2** Draw a top view of the balustrade that you require (no need to give us the balustrade measurements, as we will calculate those based on the floor measurements).
- 3** Mark any points where the balustrade should connect to a wall with a large dot (as shown in the examples).

EXAMPLES >



Would you prefer to order by phone or email? Have you got any questions? Don't hesitate to contact us.
Call +49 2822 91569 0 or email us at sales.business@q-railing.com.



Prefabricated single components

GET EASY ALU COMPONENTS DELIVERED CUT, DRILLED AND/OR POWDER-COATED TO YOUR EXACT SPECIFICATIONS.

Fill out your project details and send them to us by email: sales.business@q-railing.com. We will calculate what exact products you need, how many and with what cut and drill details. So no need for you to give us any dimensions or measurements. We will then provide you with a quote for all prefabricated components. On your approval, we will start the prefabrication. We will cut, drill and/or powder-coat everything to your exact specifications and supply you with the prefabricated components.

All you need to do:
Assemble ready-to-install Easy Alu modules from the components and take them to the construction site. There, you will attach the modules to the floor and join them together with a handrail. That is it!

For what type of project do you need the balustrade?*

- Private/Residential use
- Commercial/Public use

What floor surface will you install on?

- Concrete
- Other:

*Do remember to take into account all guidelines and restrictions specified by the building codes that apply to your country and/or region.

Project reference:

.....

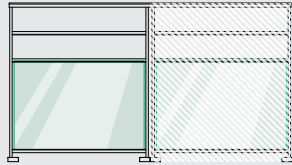
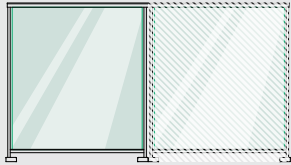
Required balustrade height (above finished floor level):

.....

What mounting type and infill do you require?

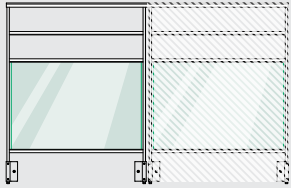
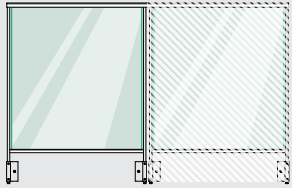
Top mounted

- All glass
- Glass with mid-rail






Fascia mounted

- All glass
- Glass with mid-rail



What type of material finish do you require?

Standard options:

-  Brushed anodised aluminium
-  Powder-coated RAL 7016 anthracite grey, textured
-  Mill-finished aluminium

Would you like us to supply you with the glass as well?

- Yes****
- No

Custom options:

- Powder-coated in custom RAL colour**:
.....
- | | |
|--|-------------------------------------|
| Surface finish | Gloss level |
| <input type="checkbox"/> Smooth | <input type="checkbox"/> High-gloss |
| <input type="checkbox"/> Structured*** | <input type="checkbox"/> Matt |
- Project-specific powder-coating (supplier code):
.....

** From RAL standard K7 only
 *** Selected colours only, matt gloss level only
 **** No need for you to give us any glass details. We will specify the glass based on the rest of your project details.



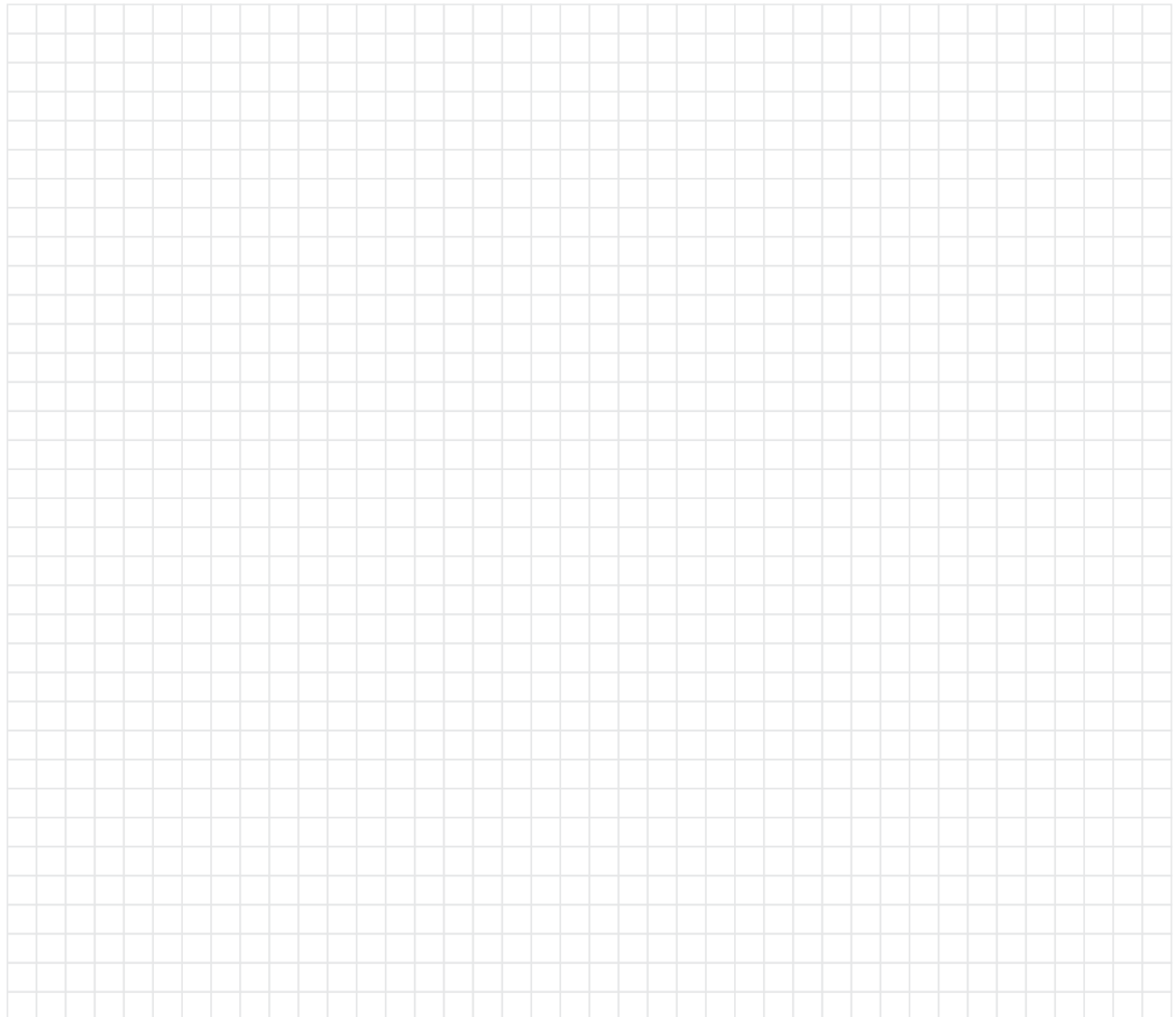
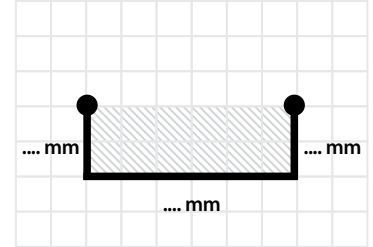
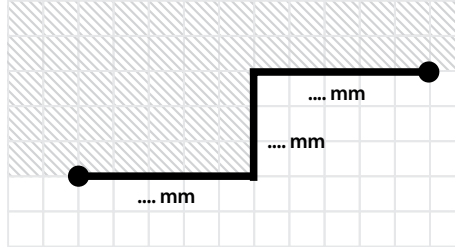
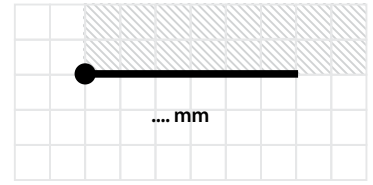
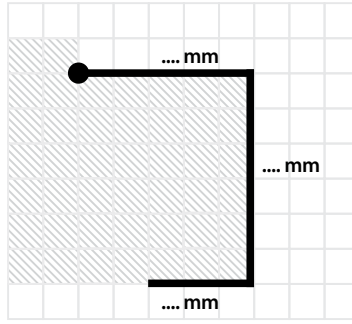
Sender

Name	Telephone & Fax
Company	E-mail
Street, house no.	Customer number
Postcode, city, country	Revision number* <small>*(to be filled in by Q-railing)</small>

Your project

- 1** Give us the measurements of the balcony floor that you want to install on.
- 2** Draw a top view of the balustrade that you require (no need to give us the balustrade measurements, as we will calculate those based on the floor measurements).
- 3** Mark any points where the balustrade should connect to a wall with a large dot (as shown in the examples).

EXAMPLES >





REQUEST A QUOTE- OPTION 3

STANDARD SINGLE COMPONENTS

Order Easy Alu components in standard sizes and with standard finishes, all available directly from stock. Do the prefabrication of the components and preassembly of the railing modules yourself.

Would you like to speed things up?
Opt for ready-to-install modules (page 6) or order prefabricated components (page 8).

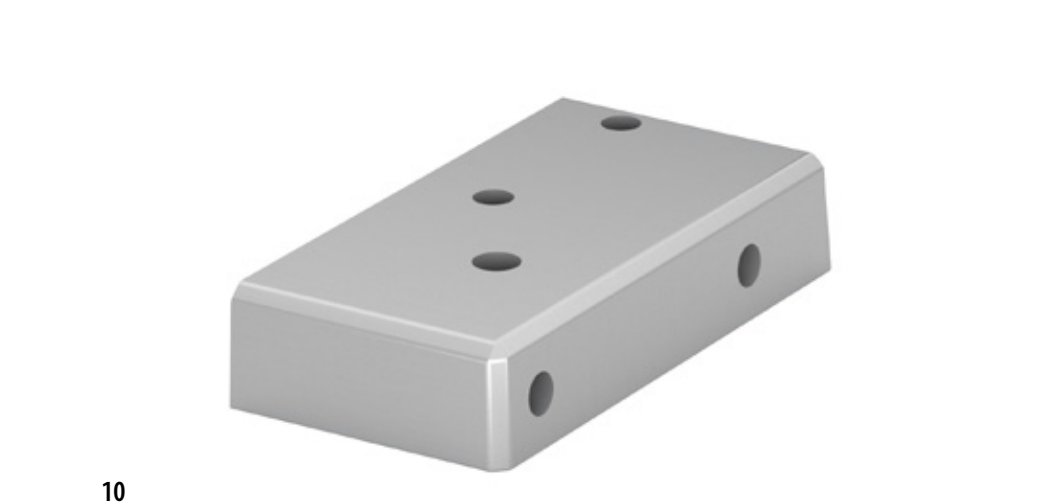
EASY
MOUNTING



HIGH-GRADE
MATERIALS

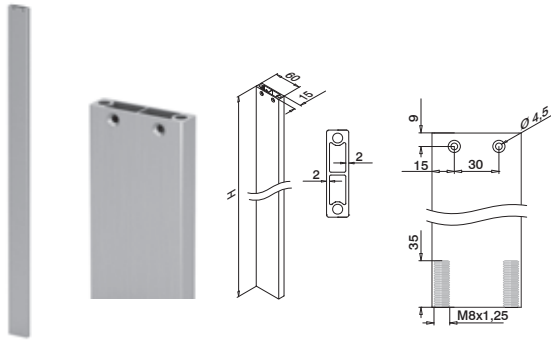


FLAWLESS
FINISHES



RAPID
DELIVERY

EASY ALU - Baluster posts, top mount

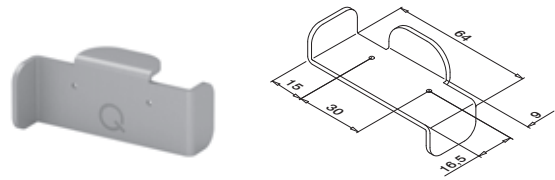


MOD 0560

Aluminium	Brushed			
OUTDOOR	H			
16.0560.087.18	865 mm	QS-30	1	
16.0560.097.18	965 mm	QS-30	1	
16.0560.107.18	1065 mm	QS-30	1	
16.0560.117.18	1165 mm	QS-30	1	
Aluminium	Powder coated RAL 7016			
OUTDOOR	H			
16.0560.087.33	865 mm	QS-30	1	
16.0560.097.33	965 mm	QS-30	1	
16.0560.107.33	1065 mm	QS-30	1	
16.0560.117.33	1165 mm	QS-30	1	
Aluminium	Powder coated custom RAL colour			
OUTDOOR	H			
16.0560.087.XX	865 mm	QS-30	1	
16.0560.097.XX	965 mm	QS-30	1	
16.0560.107.XX	1065 mm	QS-30	1	
16.0560.117.XX	1165 mm	QS-30	1	
Aluminium	Mill finish			
INDOOR	H			
16.0560.087.00	865 mm	QS-30	1	
16.0560.097.00	965 mm	QS-30	1	
16.0560.107.00	1065 mm	QS-30	1	
16.0560.117.00	1165 mm	QS-30	1	



EASY ALU - Drilling template for baluster posts

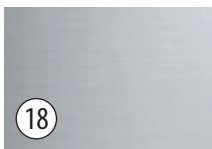


MOD 0770

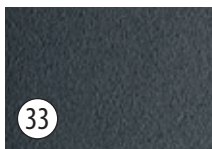
Accessories	Q	
19.0770.000.00	Q-85	1

NEW

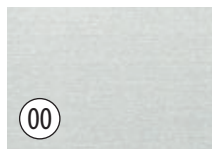
Q-INFO MOD 0560



Brushed, anodised, 25 µm



Powder coated anthracite grey RAL 7016, textured

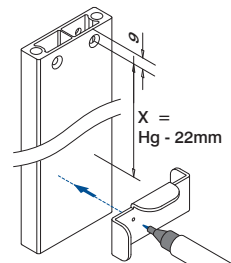


Mill finish



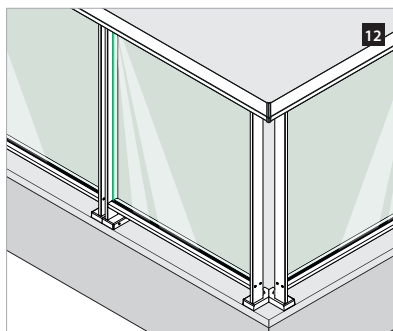
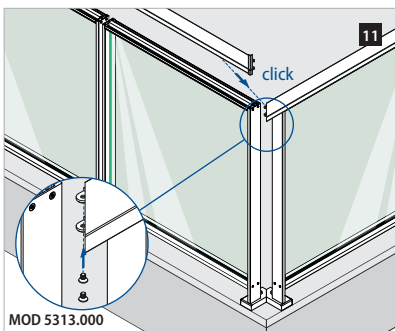
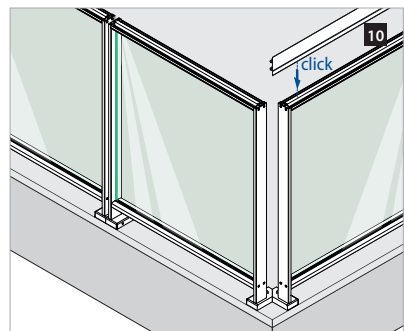
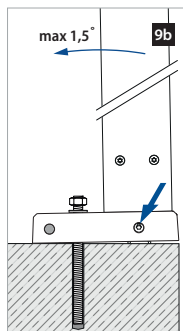
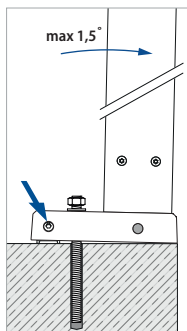
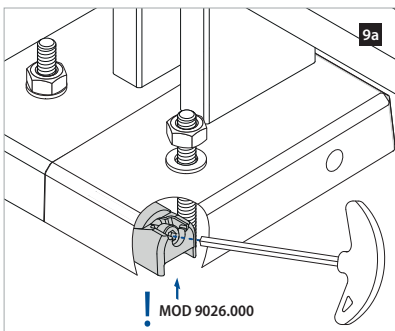
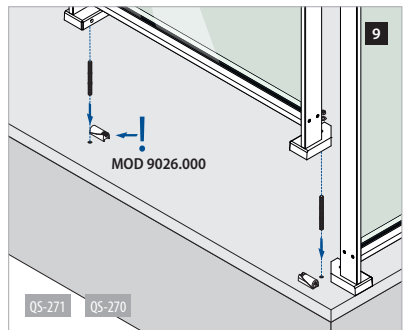
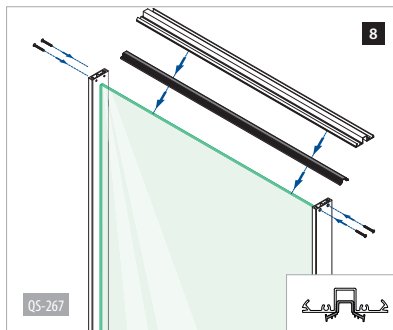
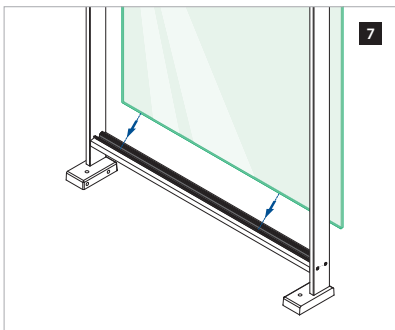
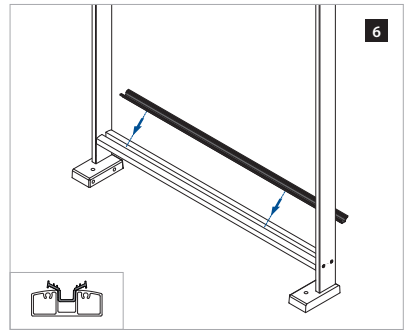
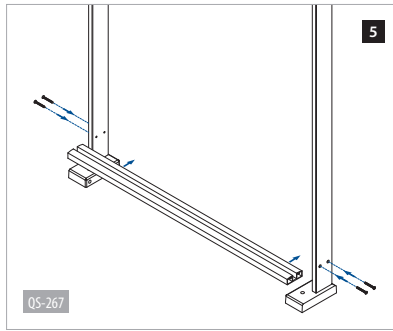
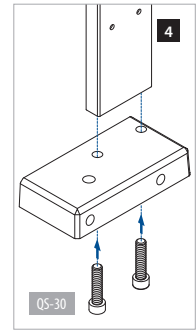
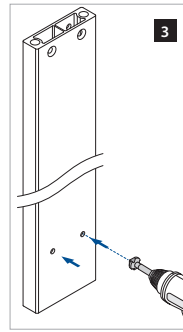
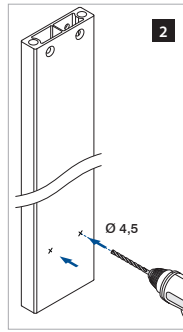
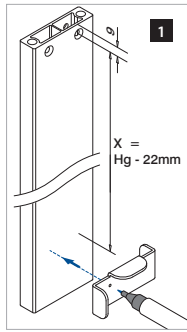
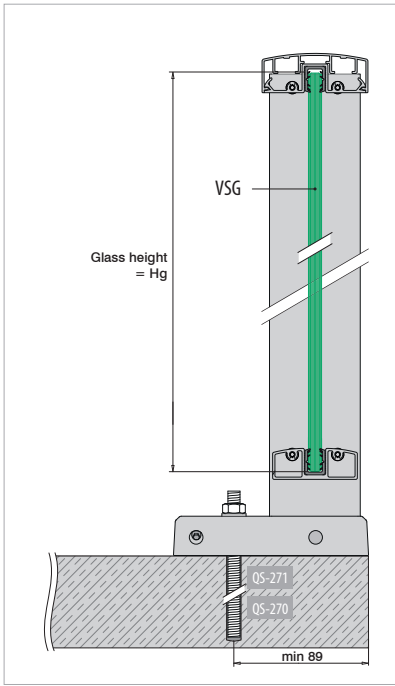
Choose your own RAL colour

Q-INFO MOD 0770

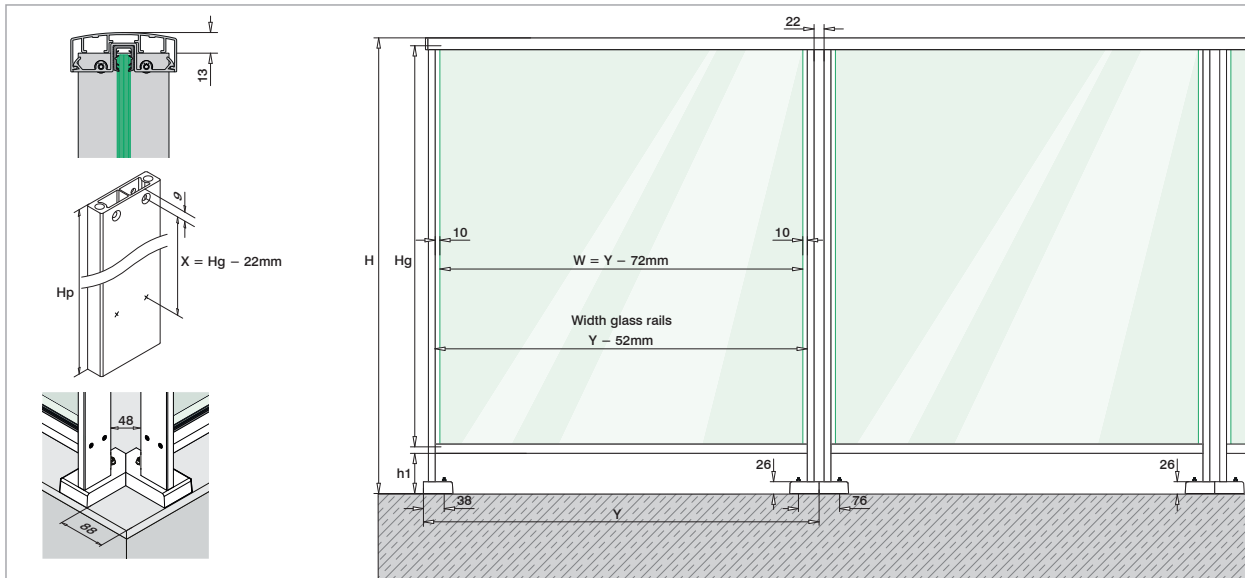


EASY ALU - Baluster posts, top mount

Q-INFO



Q-INFO



Calculation baluster post

Railing height (H) – 35 mm = baluster post height (Hp)

Railing height (H)	Baluster post height (Hp)
900 mm	865 mm
1000 mm	965 mm
1100 mm	1065 mm
1200 mm	1165 mm

Glass calculation

Glass width (W) = Y – 72 mm

Glass height (Hg) = railing height (H) – h1 – 12 mm

Distance drill holes in baluster post (X)

X = glass height (Hg) – 22 mm

Order glass at the same time as you order the rest of your baluster railing

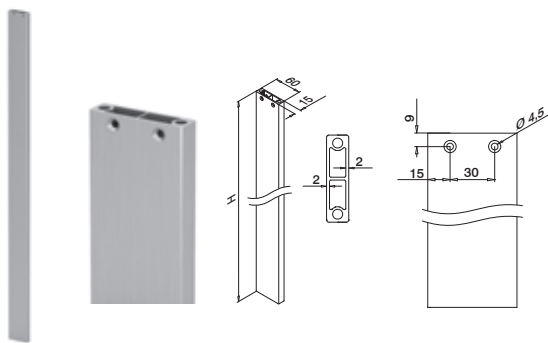
BESPOKE MADE GLASS

All glass types from thickness 8 - 10,76 mm available, including coloured glass and glass with different type of foils.

- CE marked
- High quality
- Accurate delivery times and notification
- Clearly quoted competitive prices
- Straightforward ordering

Posts

EASY ALU - Baluster posts, fascia mount



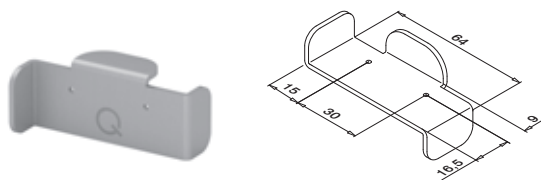
MOD 0560

Aluminium	Brushed		
OUTDOOR	H		
16.0560.104.18	1040 mm		1
16.0560.114.18	1140 mm		1
16.0560.124.18	1240 mm		1
16.0560.134.18	1340 mm		1
Aluminium	Powder coated RAL 7016		
OUTDOOR	H		
16.0560.104.33	1040 mm		1
16.0560.114.33	1140 mm		1
16.0560.124.33	1240 mm		1
16.0560.134.33	1340 mm		1
Aluminium	Powder coated custom RAL colour		
OUTDOOR	H		
16.0560.104.XX	1040 mm		1
16.0560.114.XX	1140 mm		1
16.0560.124.XX	1240 mm		1
16.0560.134.XX	1340 mm		1
Aluminium	Mill finish		
INDOOR	H		
16.0560.104.00	1040 mm		1
16.0560.114.00	1140 mm		1
16.0560.124.00	1240 mm		1
16.0560.134.00	1340 mm		1



Accessories

EASY ALU - Drilling template for baluster posts



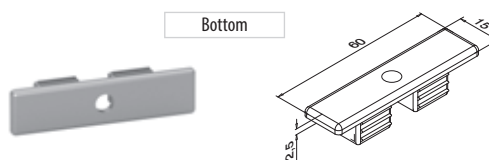
MOD 0770

Accessories	Q	
19.0770.000.00	Q-85	1

NEW

Posts

EASY ALU - End caps for baluster posts, fascia mount



MOD 5732 - EASY HIT®

Plastic	White aluminium RAL 9006	
OUTDOOR		
24.5732.060.36		2
Plastic	Anthracite grey RAL 7016	
OUTDOOR		
24.5732.060.33		2

NEW



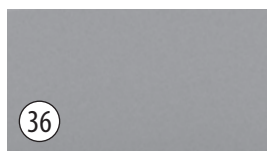
Q-INFO

MOD 5732

Plastic



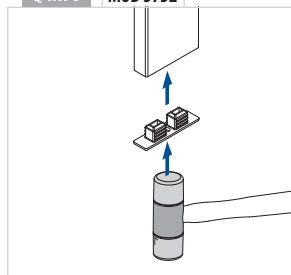
33
Anthracite grey
RAL 7016



36
White aluminium
RAL 9006

Q-INFO

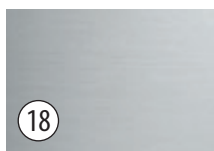
MOD 5732



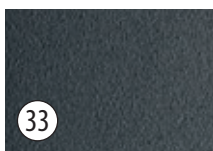
Q-INFO

MOD 0560

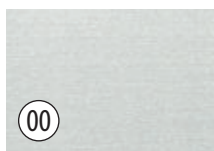
Aluminium



18
Brushed, anodised,
25 µm



33
Powder coated
anthracite grey
RAL 7016, textured



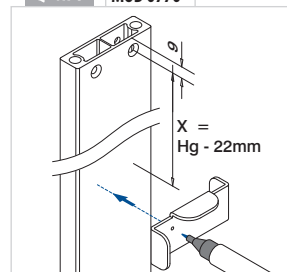
00
Mill finish



XX
Choose your own
RAL colour

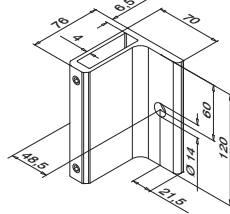
Q-INFO

MOD 0770

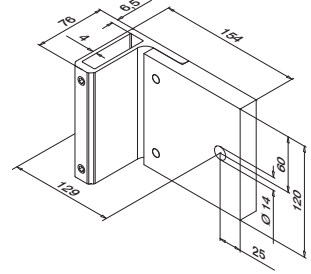


EASY ALU - Brackets for baluster posts, fascia mount

Inner corner
Applicable left / right



Outer corner
Applicable left / right



MOD 9028

Aluminium	Matt silver effect		
OUTDOOR			
16.9028.060.08	QS-277		1
Aluminium	Powder coated RAL 7016		
OUTDOOR			
16.9028.060.33	QS-277		1
Aluminium	Powder coated custom RAL colour		
OUTDOOR			
16.9028.060.XX	QS-277		1
Aluminium	Mill finish		
INDOOR			
16.9028.060.00	QS-276		1



MOD 9028

Aluminium	Matt silver effect		
OUTDOOR			
16.9028.960.08	QS-277		1
Aluminium	Powder coated RAL 7016		
OUTDOOR			
16.9028.960.33	QS-277		1
Aluminium	Powder coated custom RAL colour		
OUTDOOR			
16.9028.960.XX	QS-277		1
Aluminium	Mill finish		
INDOOR			
16.9028.960.00	QS-276		1



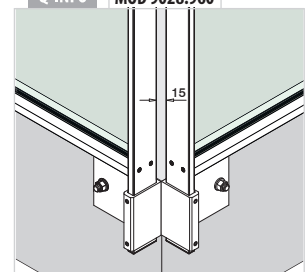
Q-INFO

<p>Inner corner</p> <p>MOD 9028.060</p>	<p>Outer corner</p> <p>MOD 9028.060</p>	<p>Outer corner</p> <p>MOD 9028.960</p>
---	---	---

Q-INFO

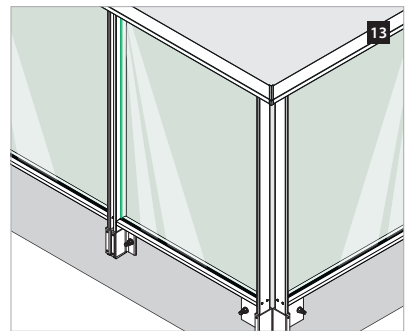
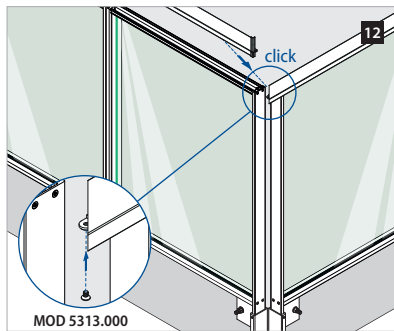
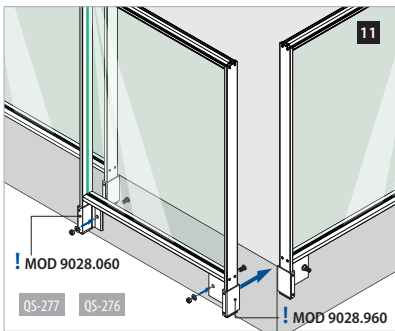
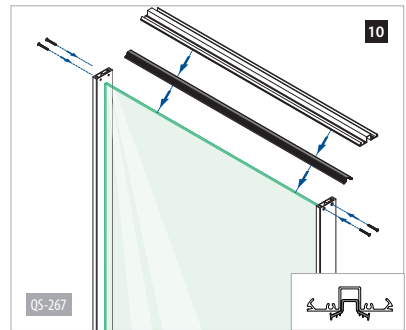
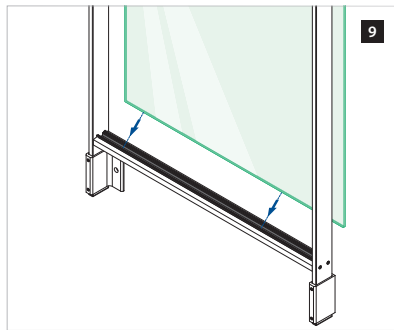
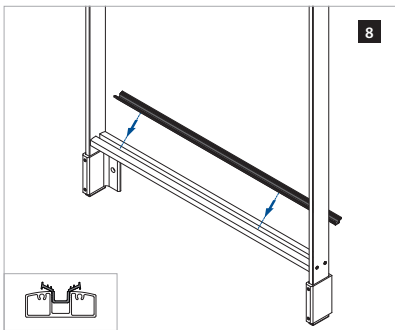
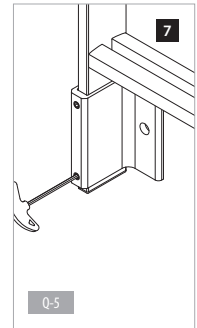
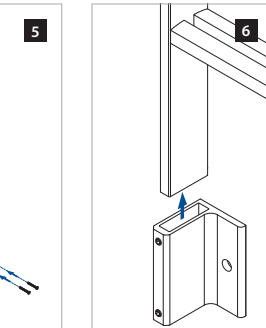
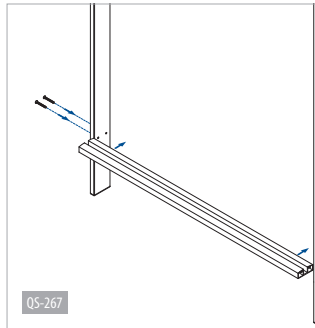
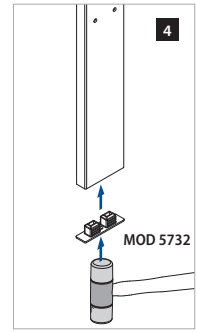
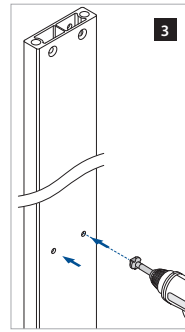
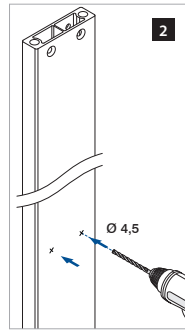
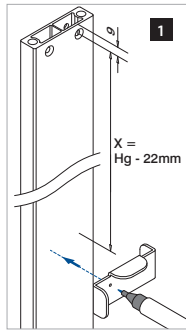
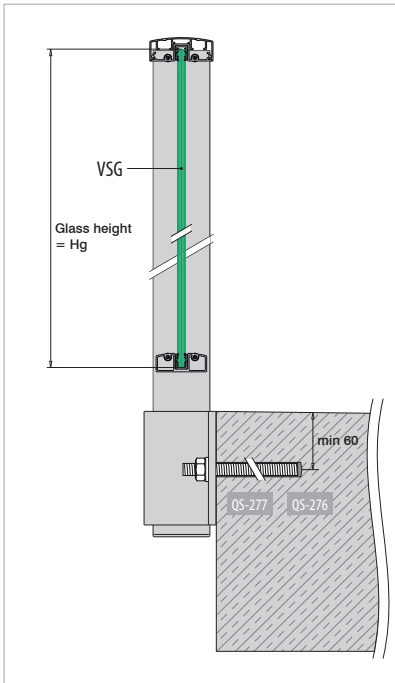
<p>08</p> <p>Matt silver effect</p>	<p>33</p> <p>Powder coated anthracite grey RAL 7016, textured</p>	<p>00</p> <p>Mill finish</p>	<p>XX</p> <p>Choose your own RAL colour</p>
-------------------------------------	---	------------------------------	---

Q-INFO MOD 9028.960

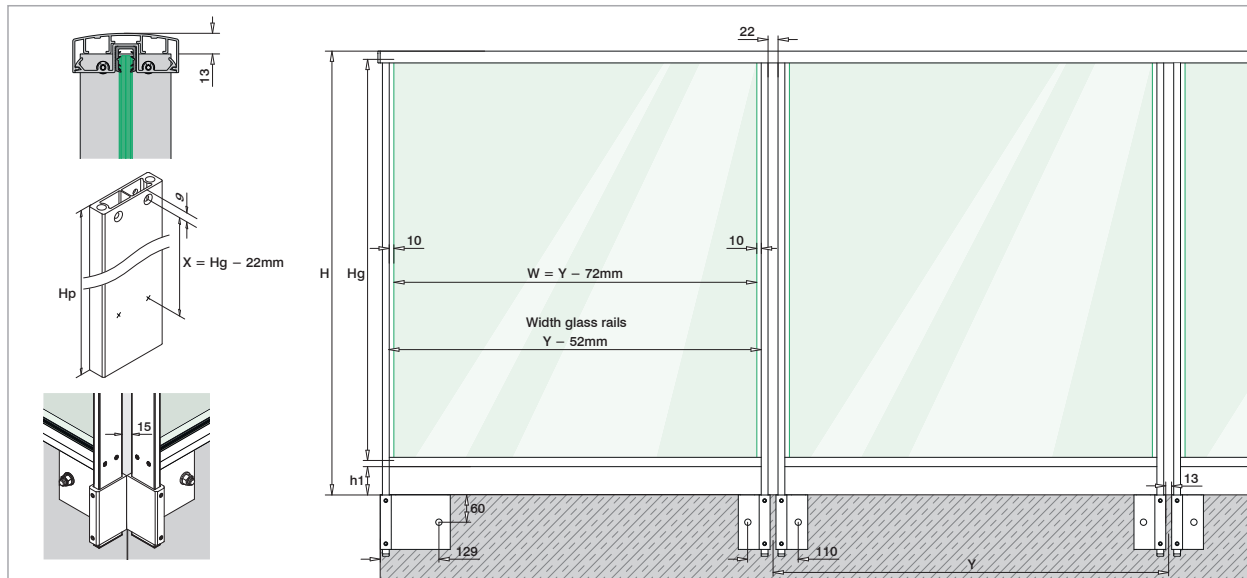


EASY ALU - Baluster posts, fascia mount

Q-INFO



Q-INFO



Calculation baluster post

Railing height (H) + 140 mm = baluster post height (Hp)

Railing height (H)	Baluster post height (Hp)
900 mm	1040 mm
1000 mm	1140 mm
1100 mm	1240 mm
1200 mm	1340 mm

Glass calculation

Glass width (W) = Y - 72 mm

Glass height (Hg) = railing height (H) - h1 - 12 mm

Distance drill holes in baluster post (X)

X = glass height (Hg) - 22 mm

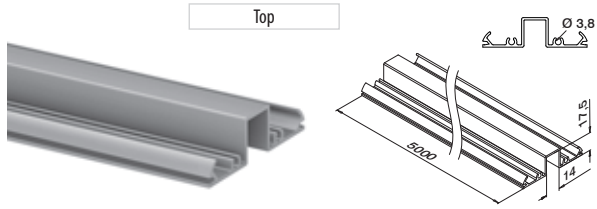
Order glass at the same time as you order the rest of your baluster railing

BESPOKE MADE GLASS

All glass types from thickness 8 - 10,76 mm available, including coloured glass and glass with different type of foils.

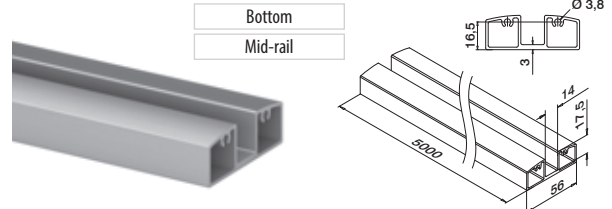
- CE marked
- High quality
- Accurate delivery times and notification
- Clearly quoted competitive prices
- Straightforward ordering

EASY ALU - Glass rails



MOD 5951

Aluminium	Brushed			
OUTDOOR	L			
16.5951.570.18	5000 mm	QS-267	1	
Aluminium	Powder coated RAL 7016			
OUTDOOR	L			
16.5951.570.33	5000 mm	QS-267	1	
Aluminium	Powder coated custom RAL colour			
OUTDOOR	L			
16.5951.570.XX	5000 mm	QS-267	1	
Aluminium	Mill finish			
INDOOR	L			
16.5951.570.00	5000 mm	QS-267	1	

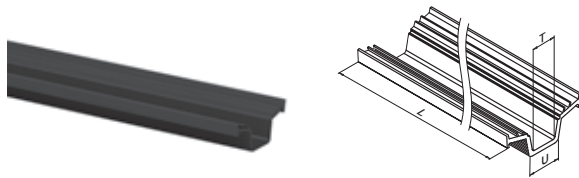


MOD 5952

Aluminium	Brushed			
OUTDOOR	L			
16.5952.555.18	5000 mm	QS-267	1	
Aluminium	Powder coated RAL 7016			
OUTDOOR	L			
16.5952.555.33	5000 mm	QS-267	1	
Aluminium	Powder coated custom RAL colour			
OUTDOOR	L			
16.5952.555.XX	5000 mm	QS-267	1	
Aluminium	Mill finish			
INDOOR	L			
16.5952.555.00	5000 mm	QS-267	1	



EASY ALU - Glass Wing rubbers

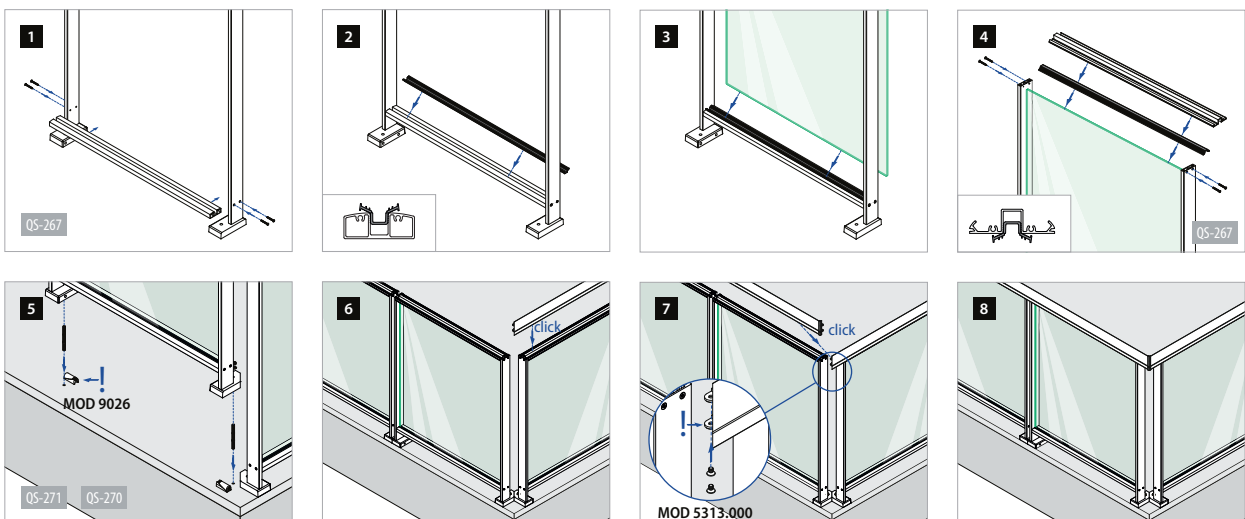


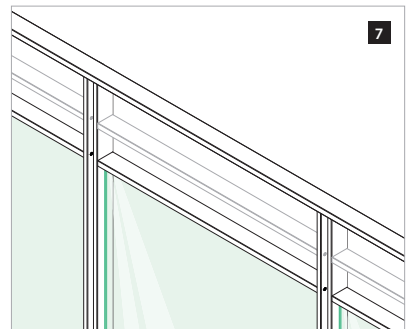
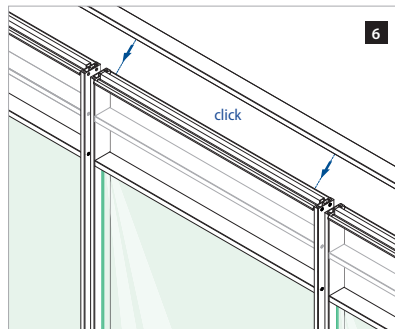
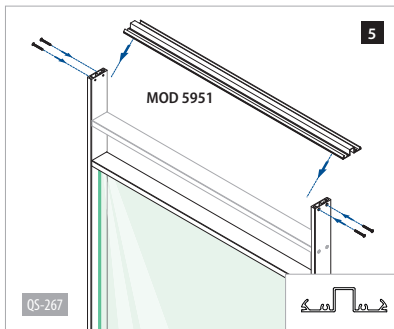
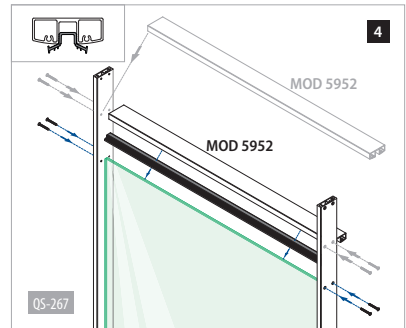
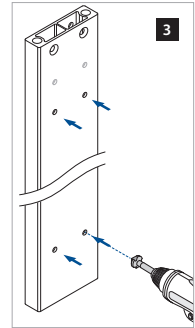
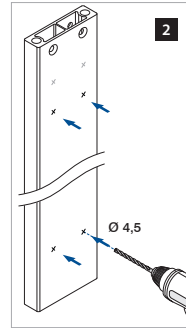
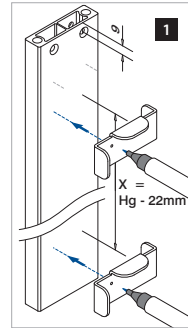
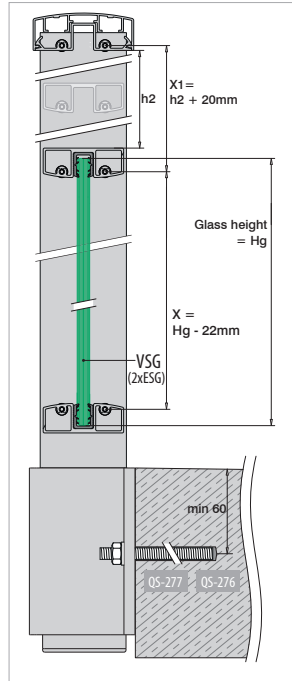
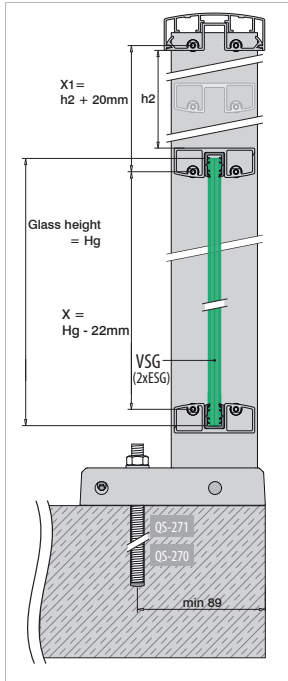
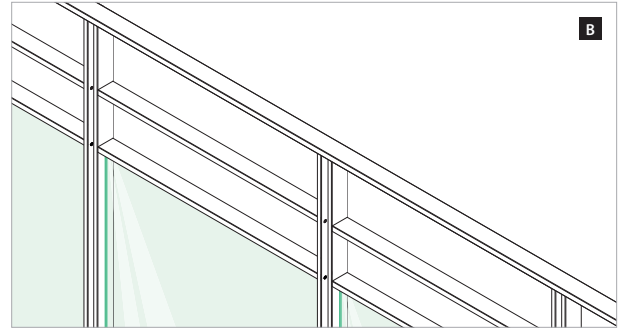
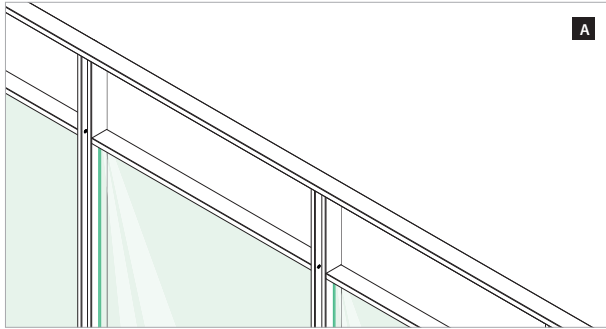
MOD 5059

Accessories				
	U	T	L	
19.5059.008.00	14	8 - 8,76	5000 mm	1
19.5059.010.00	14	10 - 10,76	5000 mm	1

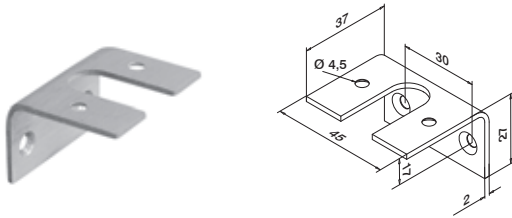


Q-INFO





EASY ALU - Adapters for glass rails



MOD 0770

Aluminium	Brushed		
OUTDOOR			
16.0770.000.18	QS-268		4
Aluminium	Powder coated RAL 7016		
OUTDOOR			
16.0770.000.33	QS-268		4
Aluminium	Powder coated custom RAL colour		
OUTDOOR			
16.0770.000.XX	QS-268		4
Aluminium	Mill finish		
INDOOR			
16.0770.000.00	QS-268		4

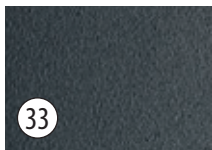
NEW



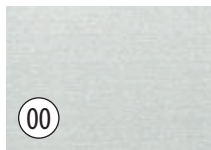
Q-INFO



Brushed, anodised, 25 µm



Powder coated anthracite grey RAL 7016, textured

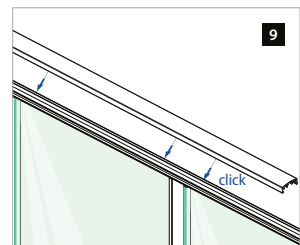
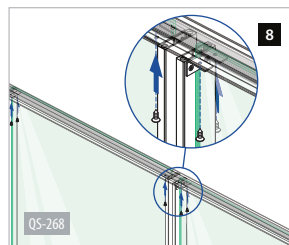
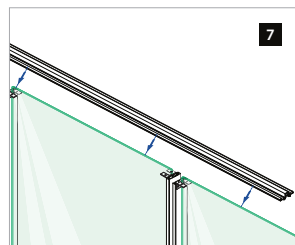
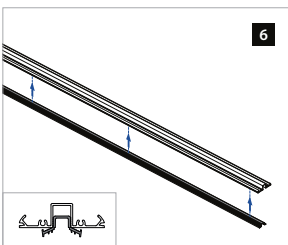
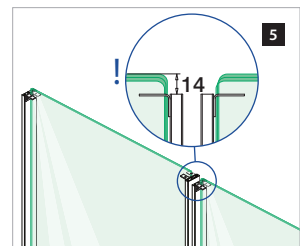
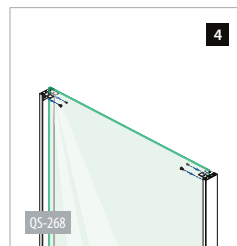
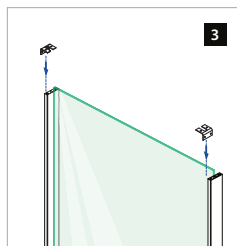
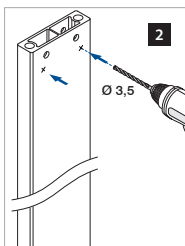
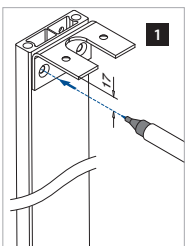


Mill finish

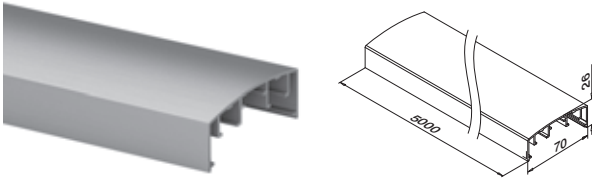


Choose your own RAL colour

Q-INFO



Handrails
EASY ALU - Handrail profiles

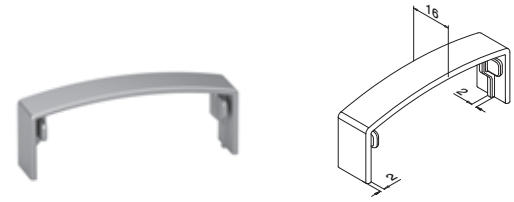


MOD 5950

Aluminium	Brushed		
OUTDOOR	L		
16.5950.570.18	5000 mm	1	
Aluminium	Powder coated RAL 7016		
OUTDOOR	L		
16.5950.570.33	5000 mm	1	
Aluminium	Powder coated custom RAL colour		
OUTDOOR	L		
16.5950.570.XX	5000 mm	1	
Aluminium	Mill finish		
INDOOR	L		
16.5950.570.00	5000 mm	1	

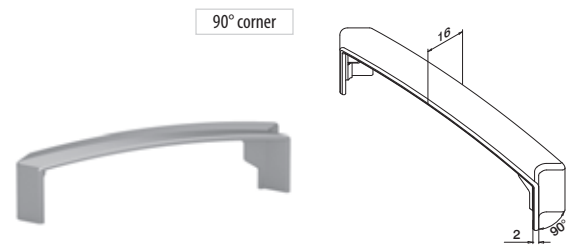


Handrails
EASY ALU - Cover caps for handrail profiles



MOD 5790

Plastic	White aluminium RAL 9006		
OUTDOOR			
24.5790.060.36		2	
Plastic	Anthracite grey RAL 7016		
OUTDOOR			
24.5790.060.33		2	

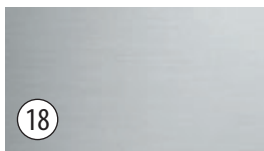


MOD 5313

Plastic	White aluminium RAL 9006		
OUTDOOR			
24.5313.060.36		2	
Plastic	Anthracite grey RAL 7016		
OUTDOOR			
24.5313.060.33		2	



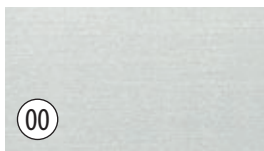
Q-INFO MOD 5950 Aluminium



18
Brushed, anodised,
25 µm



33
Powder coated
anthracite grey
RAL 7016, textured



00
Mill finish

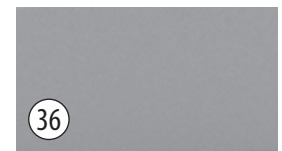


XX
Choose your own
RAL colour

Q-INFO MOD 5790 / 5313 Plastic

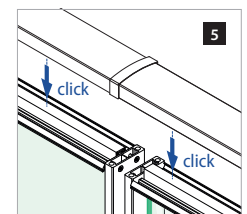
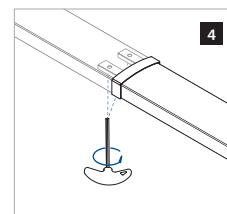
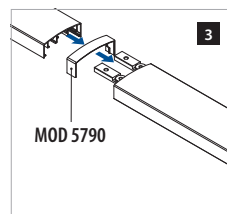
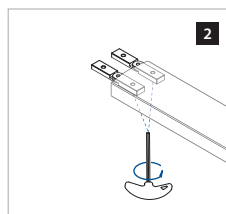
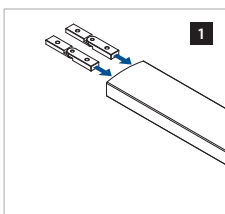


33
Anthracite grey
RAL 7016

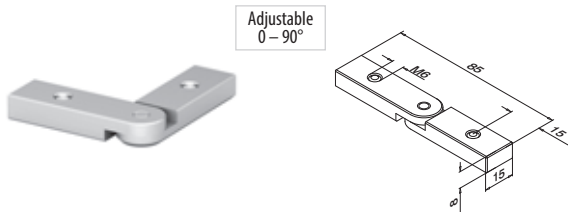


36
White aluminium
RAL 9006

Q-INFO MOD 5790



EASY ALU - Connector for handrail profiles

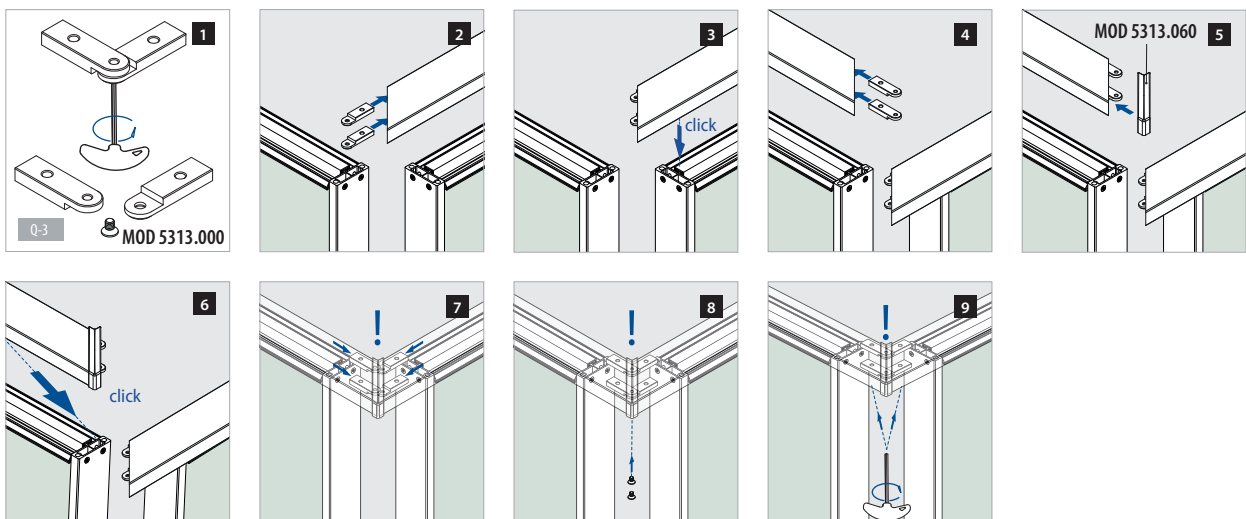


MOD 5313

Aluminium	Mill finish	
OUTDOOR		
16.5313.000.00		2

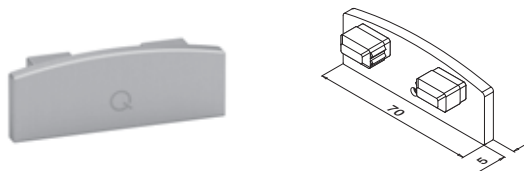


Q-INFO



Handrails

EASY ALU - End caps for handrail profiles



MOD 5732 - EASY HIT®

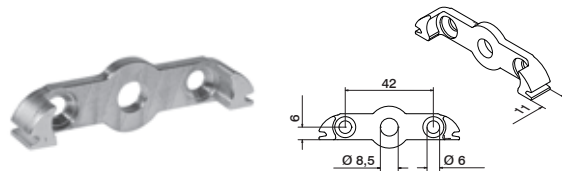
Aluminium	Brushed	
OUTDOOR		
16.5732.070.18		2
Aluminium	Powder coated RAL 7016	
OUTDOOR		
16.5732.070.33		2
Aluminium	Powder coated custom RAL colour	
OUTDOOR		
16.5732.070.XX		2
Aluminium	Mill finish	
INDOOR		
16.5732.070.00		2

NEW



Handrails

EASY ALU - Wall flange for handrail profiles



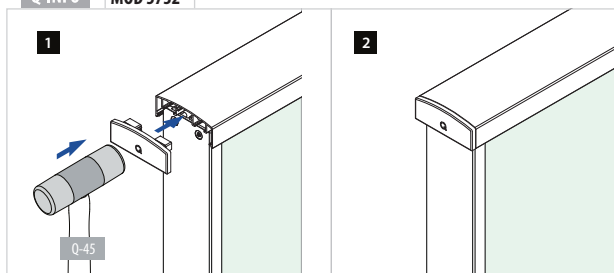
MOD 5505

Aluminium	Mill finish	
OUTDOOR		
16.5505.070.00	QS-267 / QS-87	2

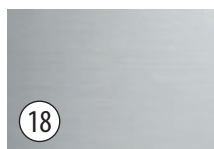
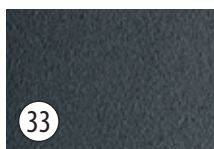
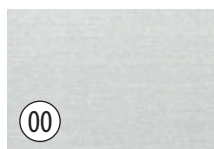
NEW



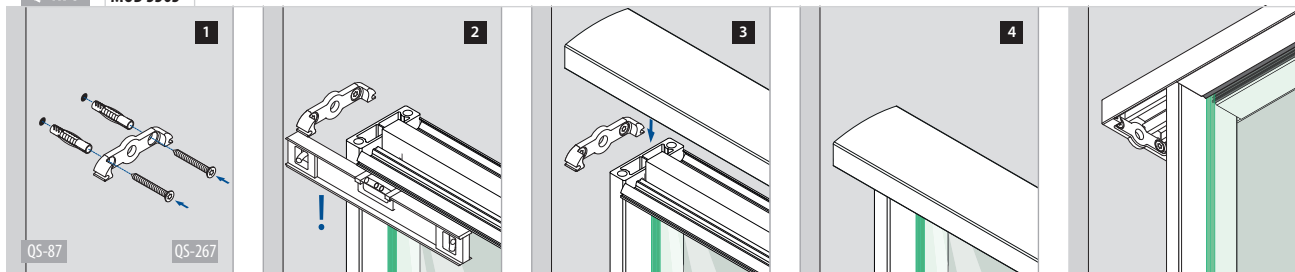
Q-INFO MOD 5732



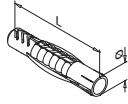
Q-INFO MOD 5732

18
Brushed, anodised,
25 µm33
Powder coated
anthracite grey
RAL 7016, textured00
Mill finishXX
Choose your own
RAL colour

Q-INFO MOD 5505



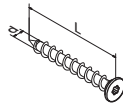
Fixing materials



MOD 0840

Accessories

	QS	Ø	L	
93.0840.635.00	QS-87	6	35	100



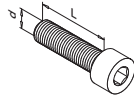
MOD 9220 - ISO 14586

316

OUTDOOR

	QS	d	L	
93.9220.413.14	QS-268	4,2	13	50
93.9220.438.14	QS-267	4,2	38	50

NEW



MOD 0680 - DIN 912 / ISO 4762

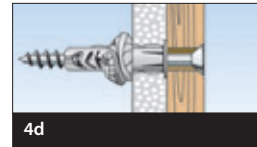
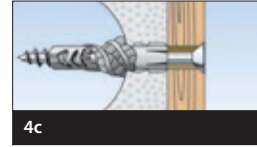
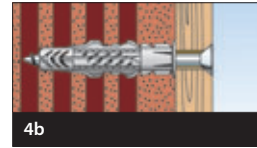
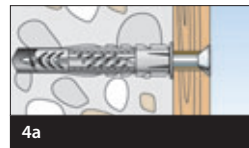
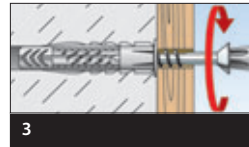
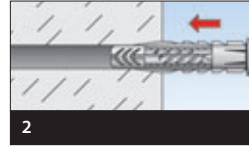
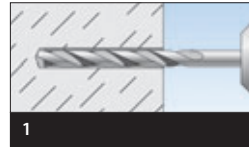
316

OUTDOOR

	QS	Q	d	L	
95.0680.835.14	QS-30	Q-6	M8	35	50



Q-INFO MOD 0840



Fixing materials



MOD 4408

Zinc-plated

INDOOR	QS	Type	d	L	L	
19.4408.110.15	QS-270	Q-VMU-A 8x110	M8	10	110	10
NEW 19.4408.205.15	QS-281	Q-VMU-A 8x205	M8	10	205	10

316

OUTDOOR	QS	Type	d	L	L	
19.4408.110.14	QS-271	Q-VMU-A 8x110	M8	10	110	10
NEW 19.4408.205.14	QS-282	Q-VMU-A 8x205	M8	10	205	10

MOD 4412

Zinc-plated

INDOOR	QS	Type	d	L	L	
19.4412.175.15	QS-276	Q-VMU-A 12x175	M12	14	175	10

316

OUTDOOR	QS	Type	d	L	L	
19.4412.175.14	QS-277	Q-VMU-A 12x175	M12	14	175	10



MOD 0760 - DIN 1587

304

INDOOR	QS	S	d	D	L	
93.0760.800.13	QS-514	13	M8	12,5	15	50

316

OUTDOOR	QS	S	d	D	L	
93.0760.800.14	QS-513	13	M8	12,5	15	50

MOD 0761 - DIN 1587

304

INDOOR	QS	S	d	D	L	
93.0761.200.13	QS-518	19	M12	18	22	50

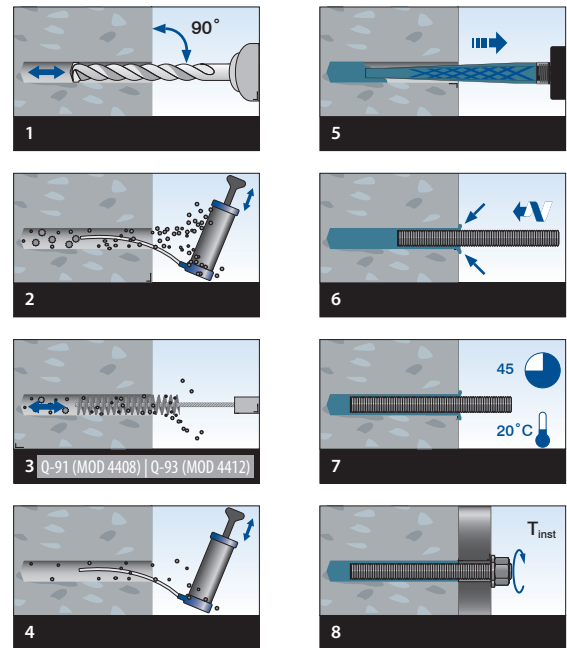
316

OUTDOOR	QS	S	d	D	L	
93.0761.200.14	QS-516	19	M12	18	22	50



Q-INFO

Manual Q-anchor VMU



Accessories for railing systems



Injection mortar

MOD 4095

Accessories				
	Q	e		
19.4095.112.00	Q-104	280 ml	Q-VMU-A	1



Mixer

For injection mortar

MOD 4095

Accessories			
	Q		
19.4095.100.00	Q-103		1



Cleaning brush for cleaning drill holes

MOD 4095

Accessories			
	Q		
19.4095.104.00	Q-91	Ø10	1



Brush extension

MOD 4095

Accessories			
	Q	L	
19.4095.111.00	Q-89	150 mm	1

NEW



Extension tube

For mixer for injection mortar

MOD 4095

Accessories			
	Q		
19.4095.113.00	Q-88		1


NEW

Consumable articles



Touch-up pencil for scratch repair

MOD 0800

Accessories			
	RAL	ml	
19.0800.050.33	7016	12	1



GET YOUR HANDS ON EASY ALU

CALL OR EMAIL US TO RECEIVE AN EASY ALU QUOTE WITH YOUR PERSONAL DISCOUNT!

Q-railing Business
Marie-Curie-Strasse 8-14
46446 Emmerich am Rhein
Germany

T. +49 2822 91569 0
F. +49 2822 91569 70
sales.business@q-railing.com



900000001482